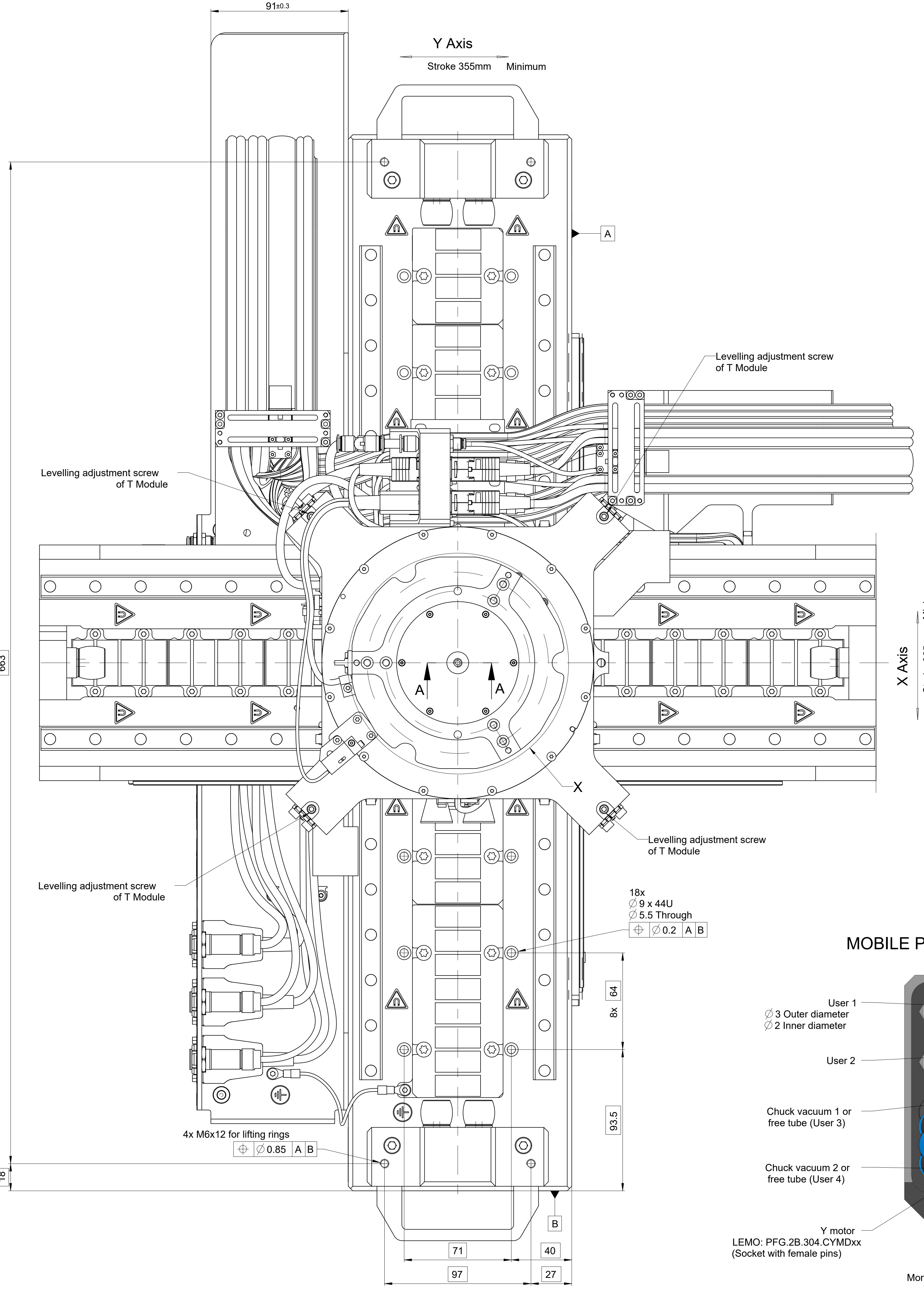
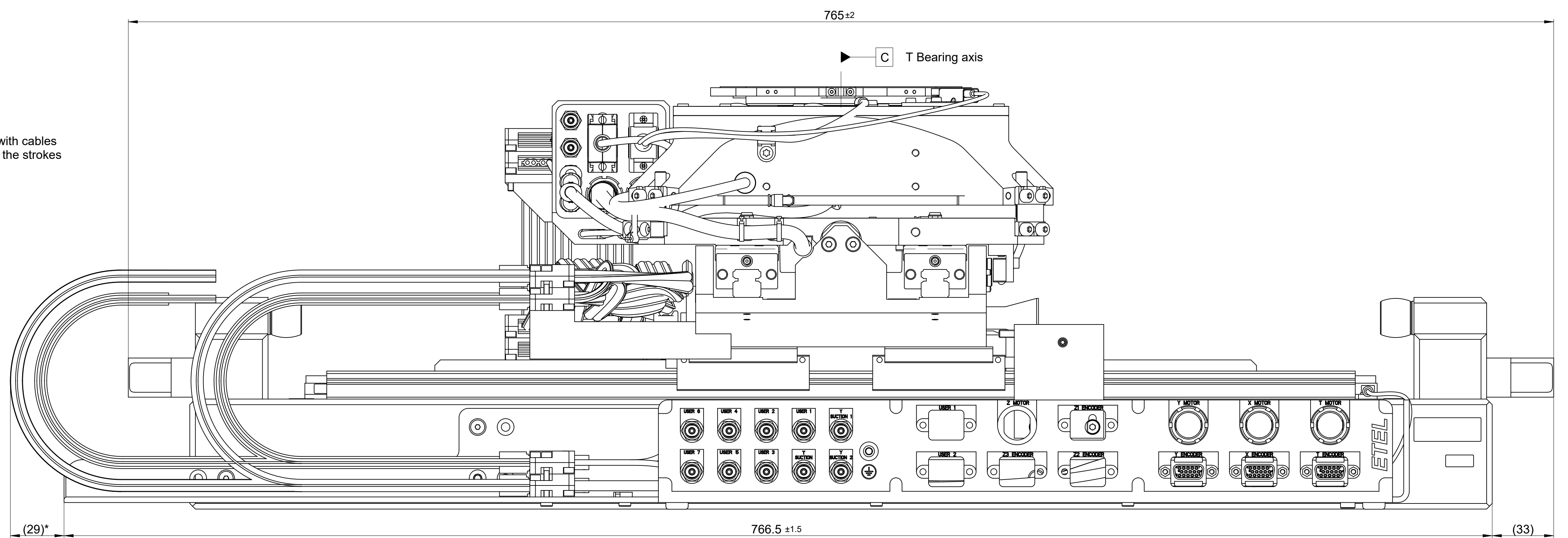
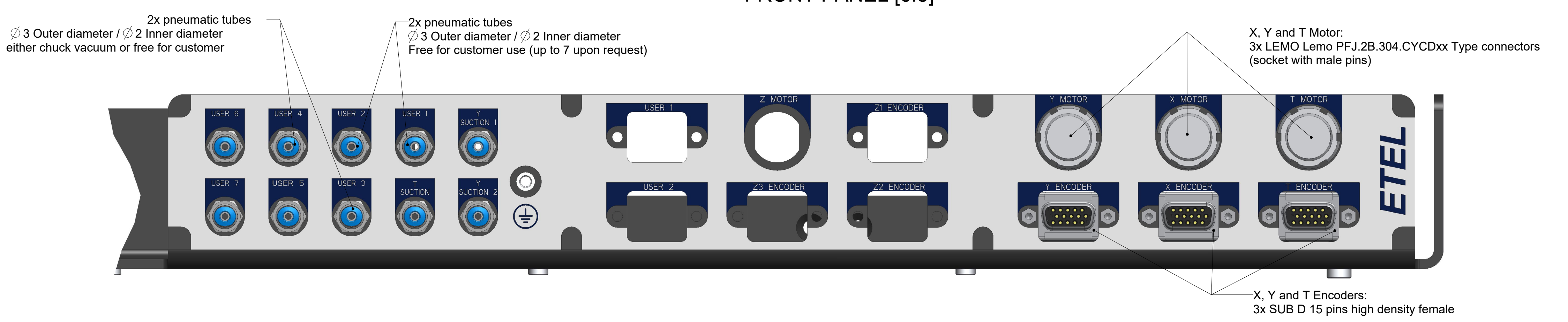


\*Dimension with cables at the end of the strokes



X Axis  
Stroke 365mm Minimum

**FRONT PANEL [6:5]**

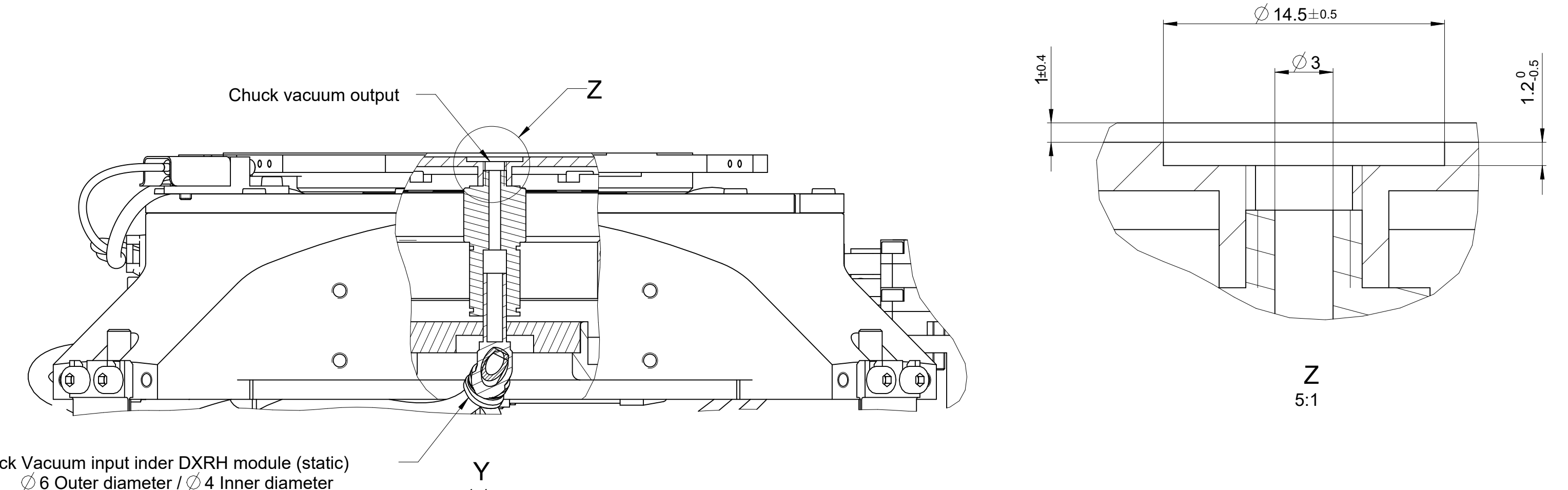
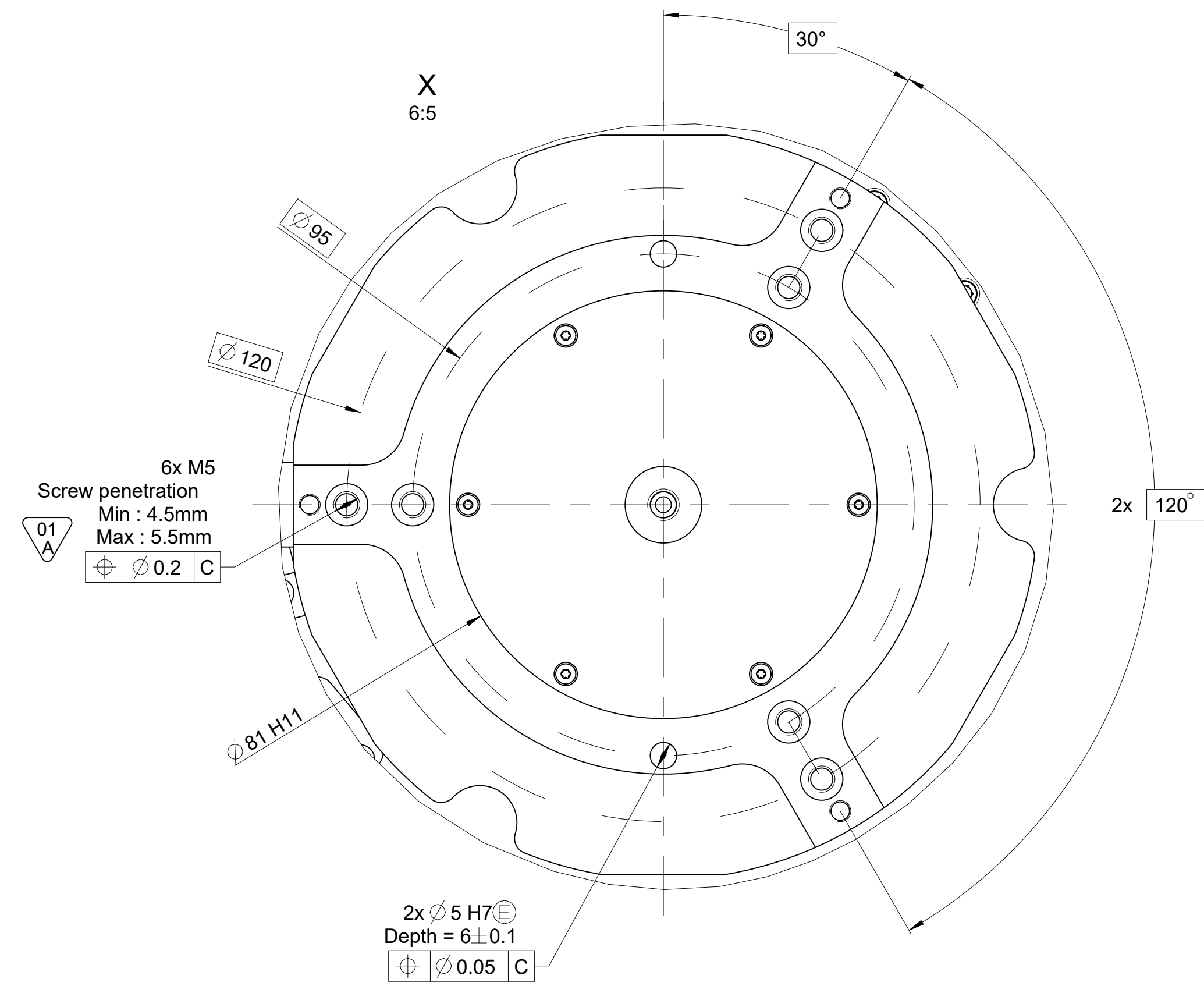


2x pneumatic tubes  
∅ 3 Outer diameter / ∅ 2 Inner diameter  
either chuck vacuum or free for customer

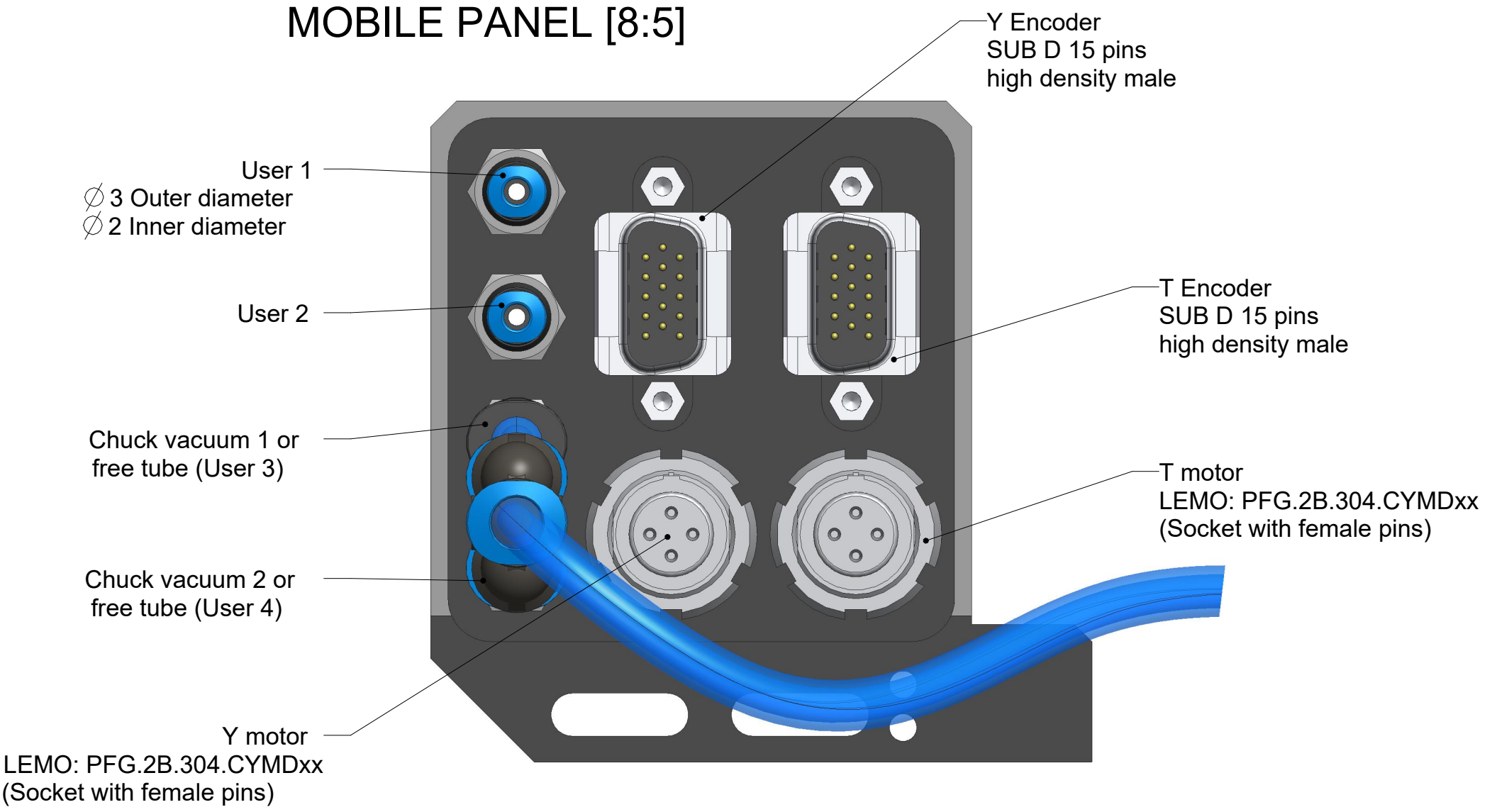
2x pneumatic tubes  
∅ 3 Outer diameter / ∅ 2 Inner diameter  
Free for customer use (up to 7 upon request)

X, Y and T Motor:  
3x LEMO PFG.2B.304.CYCDxx Type connectors  
(socket with male pins)

X, Y and T Encoders:  
3x SUB D 15 pins high density female



**MOBILE PANEL [8:5]**



User 1  
∅ 3 Outer diameter  
∅ 2 Inner diameter

User 2

Chuck vacuum 1 or free tube (User 3)

Chuck vacuum 2 or free tube (User 4)

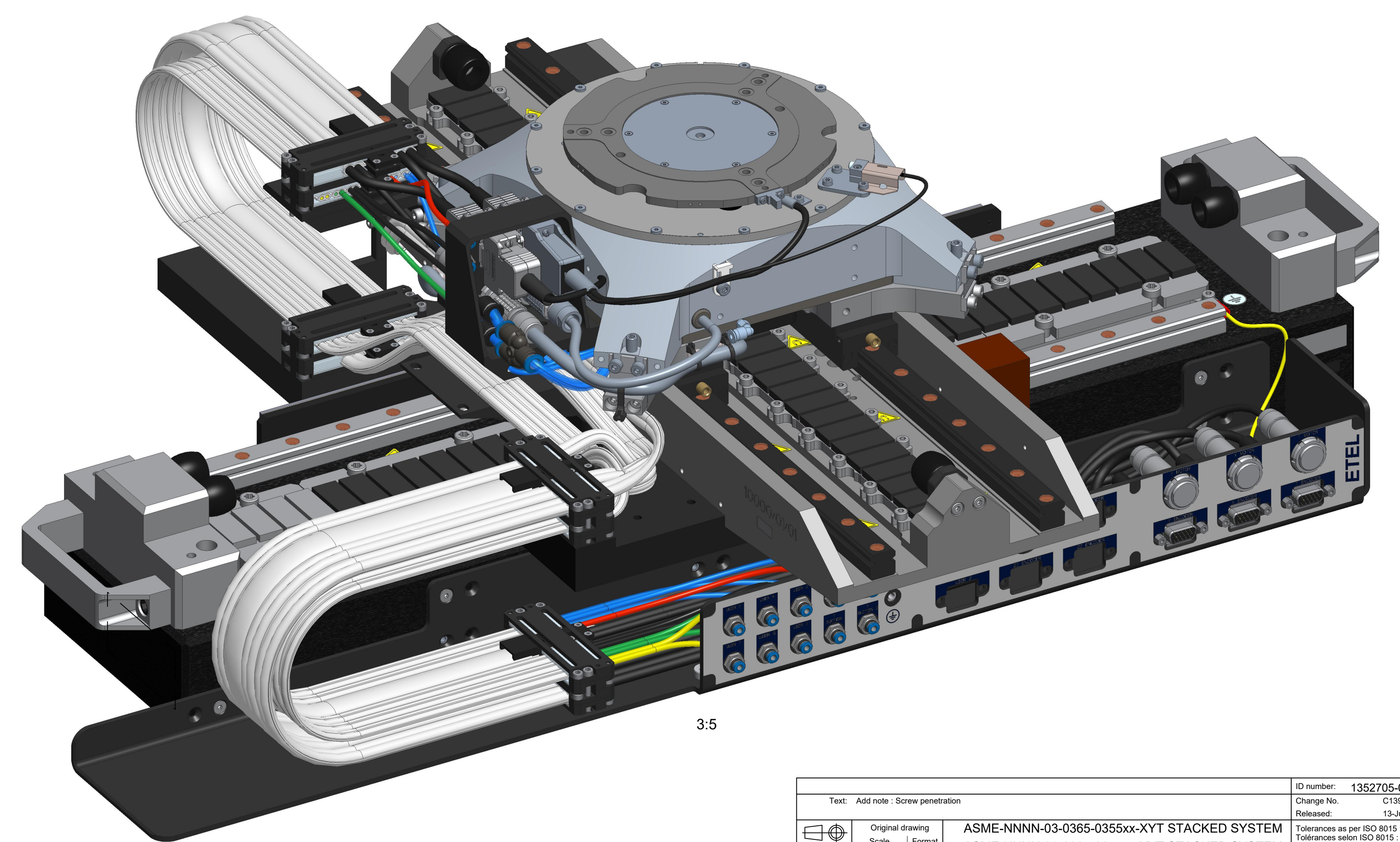
Y Encoder  
SUB D 15 pins  
high density male

T Encoder  
SUB D 15 pins  
high density male

T motor  
LEMO: PFG.2B.304.CYMDxx  
(Socket with female pins)

Y motor  
LEMO: PFG.2B.304.CYMDxx  
(Socket with female pins)

More information about User 5 to User 7 tubes upon request



It is required to mount Charon 2 Stages on a granite or equivalent flat surface with a flatness inferior or equal to 3 microns

Text	Add note	Screw penetration	ID number	1352705-01
Original drawing	ASME-NNNN-03-0365-0355xx-XYT STACKED SYSTEM		Change No.	C13549153
Scale	1:1 format		Released	13 Jun 22
Dimensions in	7:10	A0	Tolerances as per	ISO 8015: 2011
			Tolerances series	ISO 8015: 2011
			Dimensions without tolerance	± 0.2
			Dimensions series tolerance	± 0.2
			Dimensions series tolerance	± 0.2
The reproduction, distribution and utilization of this document as well as the communication of its contents to others without express authorization is prohibited. Offenders will be held liable for the payment of damages. All rights reserved in the event of the grant of a patent, utility model or design. (ISO 15076)				
ETEL S.A. 2112 Môtier SWITZERLAND			1349526-01 - A-01	