

PRODUCT	L1	L2	L3	N1	N2	β
TMK0360-050	110	81	40	12	12	30
TMK0360-070	130	101	60	12	12	30
TMK0360-100	160	131	90	24	24	15
TMK0360-150	210	181	140	24	24	15

Text: ID number: C124601-03
 Change No. Released: 24.02.2022
 Material: Matière:

Torque motor TMK0360 (interface)
Moteur couple fer TMK0360 (interface)

Dimensions in mm / Cotes en mm: Mating Dimensions / Cotes d'encastrement

Workpiece edges ISO 13715 / Arêtes de formes selon ISO 13715: Surfaces as per ISO 1302 / Etats de surface selon ISO 1302

Tolerances as per ISO 8015: 2011 / Tolérances générales ISO 2768-mK: Surfaces as per ISO 1302 / Etats de surface selon ISO 1302

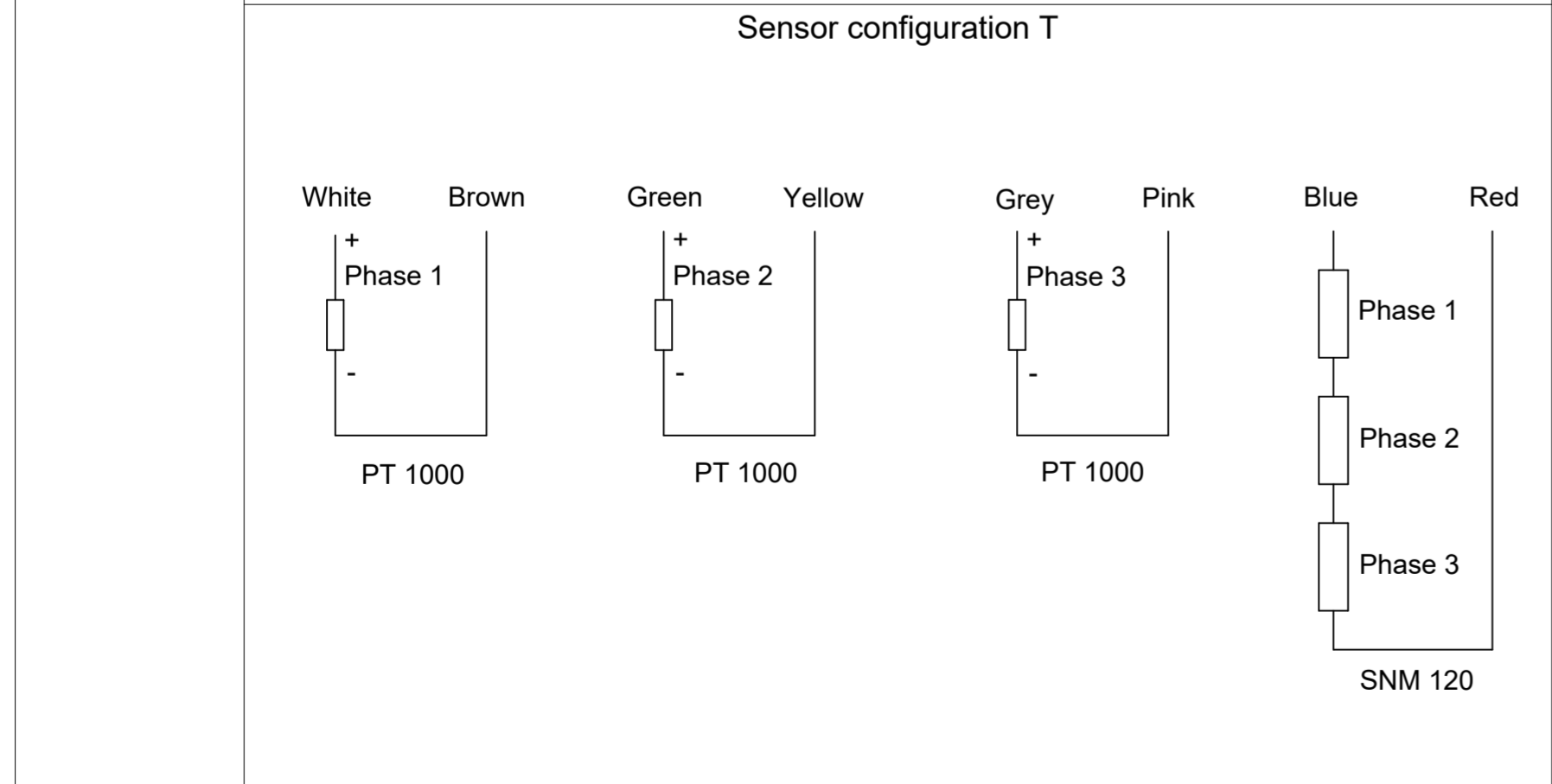
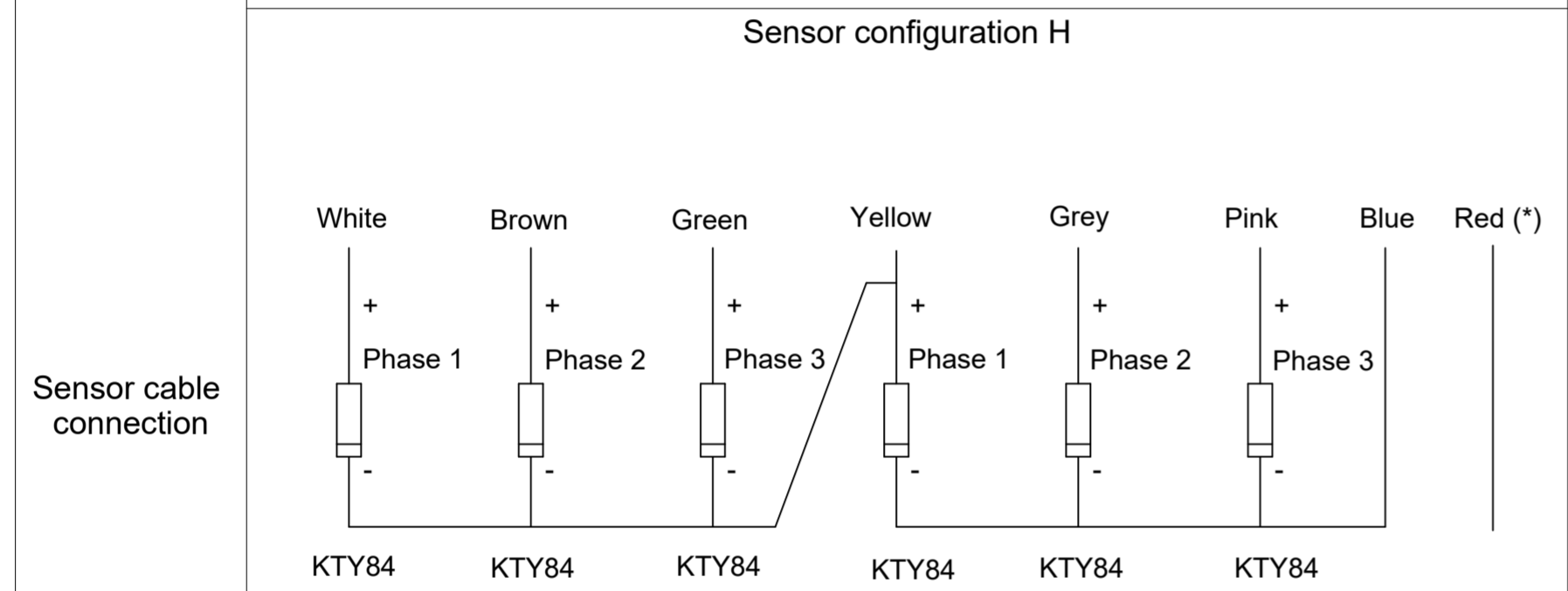
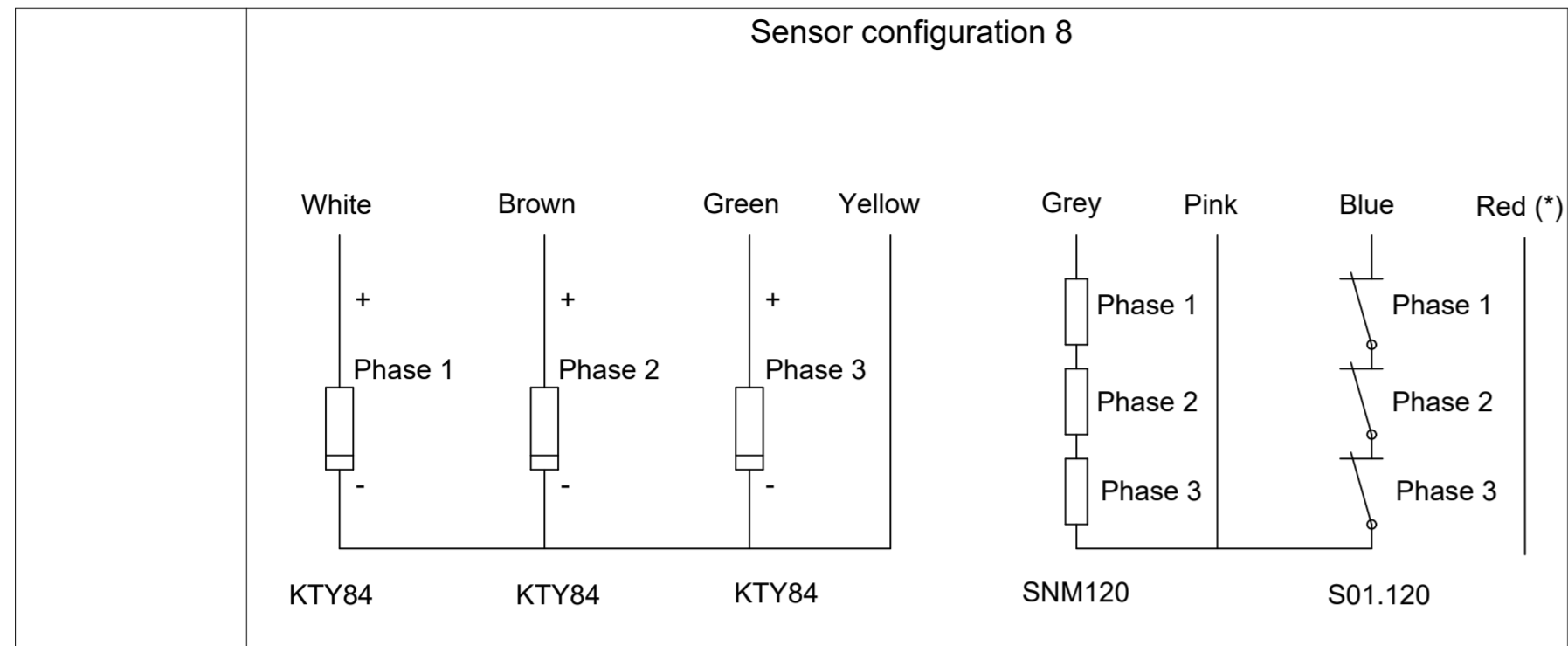
Tolerances as per ISO 8015: 2011 / Tolérances selon ISO 8015: 2011: Surface treatment: / Traitement de surface:

The reproduction, distribution and utilization of this document as well as the communication of its contents to others without express authorization is prohibited. Offenders will be held liable for the payment of damages. All rights reserved in the event of the grant of a patent, utility model or design. (ISO 18215)

ETEL ETEL S.A. 2112 Möhlers SWITZERLAND

Version/Revision/Sheet: Page 1 of 1

648543-07-A-01
 Document number



(*): Red wire (if present) is not connected on the motor side and cutted flush on cable extremity.

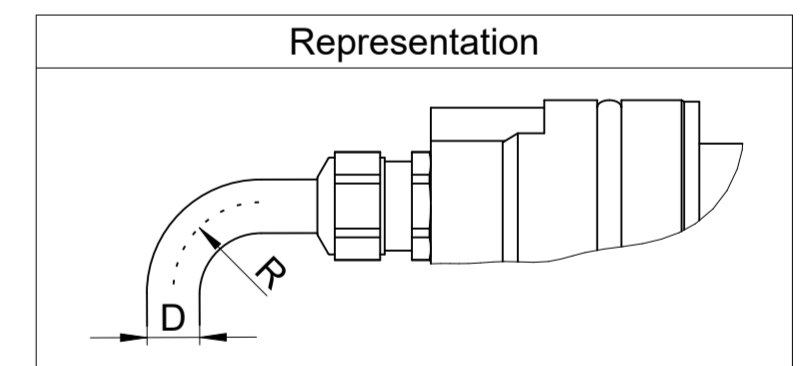
Power cable connection

Color and wire number	Function	Drawing
Black wire with number 1 or U	Phase 1 (PH1)	
Black wire with number 2 or V	Phase 2 (PH2)	
Black wire with number 3 or W	Phase 3 (PH3)	
Yellow and green wire	Ground (GND)	
Black wire with number Br1 or 5 or white cable	Neutral point wire (present only on some motor types)	
Black wire with number Br2 or 6 or black wire without label	None(**)	

(**): This wire is automatically present when the neutral point wire (which is an option) is added in the motor as it is a 2 x 1 or 2 x 1.5 mm² cable.

Wire section (mm²)

Characteristics	1 x 1.5	1 x 2.5	1 x 4	1 x 6	1 x 10	1 x 16	Sensor cable
Applicable motors	TMK0291 TMK0360 TMK0761 TMK0991	TMK0175 TMK0291 TMK0360 TMK0530	TMK0360	TMK0175 TMK0360 TMK0530	TMK0291 TMK0530 TMK0761	TMK0360 TMK0530 TMK0761 TMK0991	All TMK
Minimum bend radius for fixed cable	R = 5 X D	R = 4 X D	R = 4 X D	R = 4 X D	R = 4 X D	R = 4 X D	R = 6 X D
Minimum bend radius for moving cable	R = 10 x D	R = 7.5 X D	R = 7.5 X D	R = 7.5 X D	R = 7.5 X D	R = 7.5 X D	R = 12 X D



Text:		Original drawing Scale: 1:1 Format: A2		TMK sensor config. and cables prop. (interface)		ID number	
RoHS		1:1 A2		TMK config. capteur et prop. câbles (interface)		Change No. C115144-05 Released: 18.09.2020	
Workpiece edges ISO 13715 Arêtes de formes selon ISO 13715		General tolerances ISO 2768-mK Tolérances générales ISO 2768-mK		Surfaces as per ISO 1302 Etats de surface selon ISO 1302		Material: Matière:	
Tolerances as per ISO 8015 : 2011 Tolérances selon ISO 8015 : 2011		Surface treatment: Traitement de surface:		Version/Revision/Sheet		Page	
ETEL		ETEL S.A. 2112 Môtiers SWITZERLAND		1328572-00-A-01		1 of 1	
				Document number			