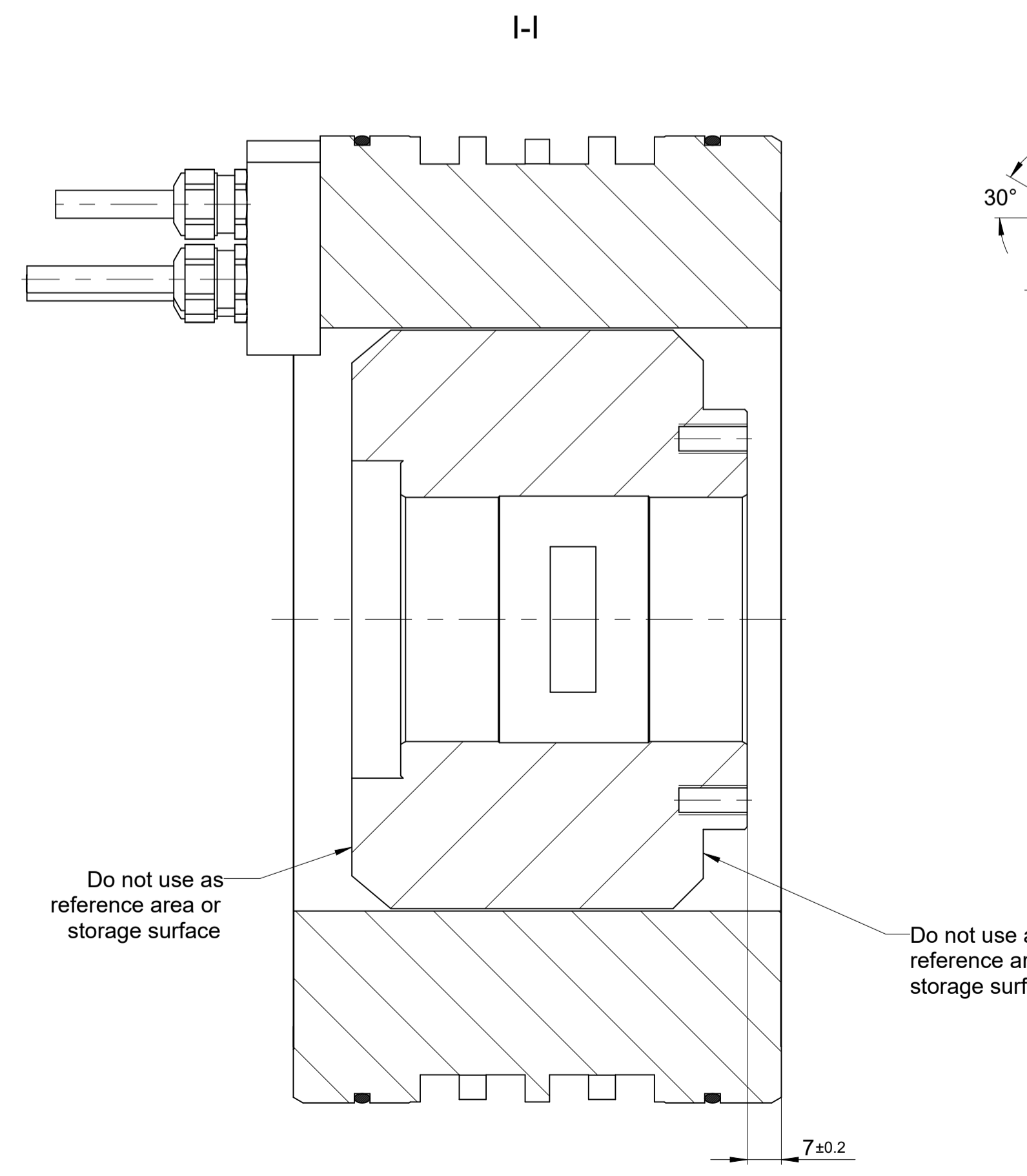
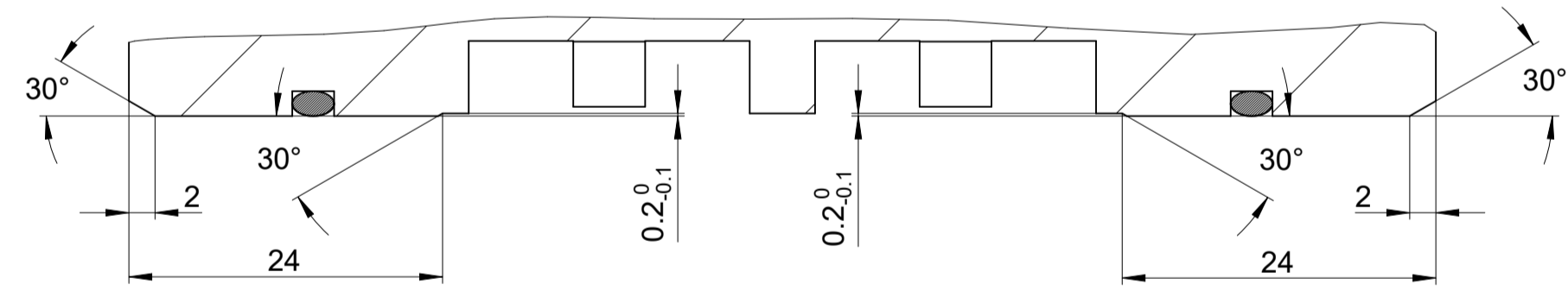
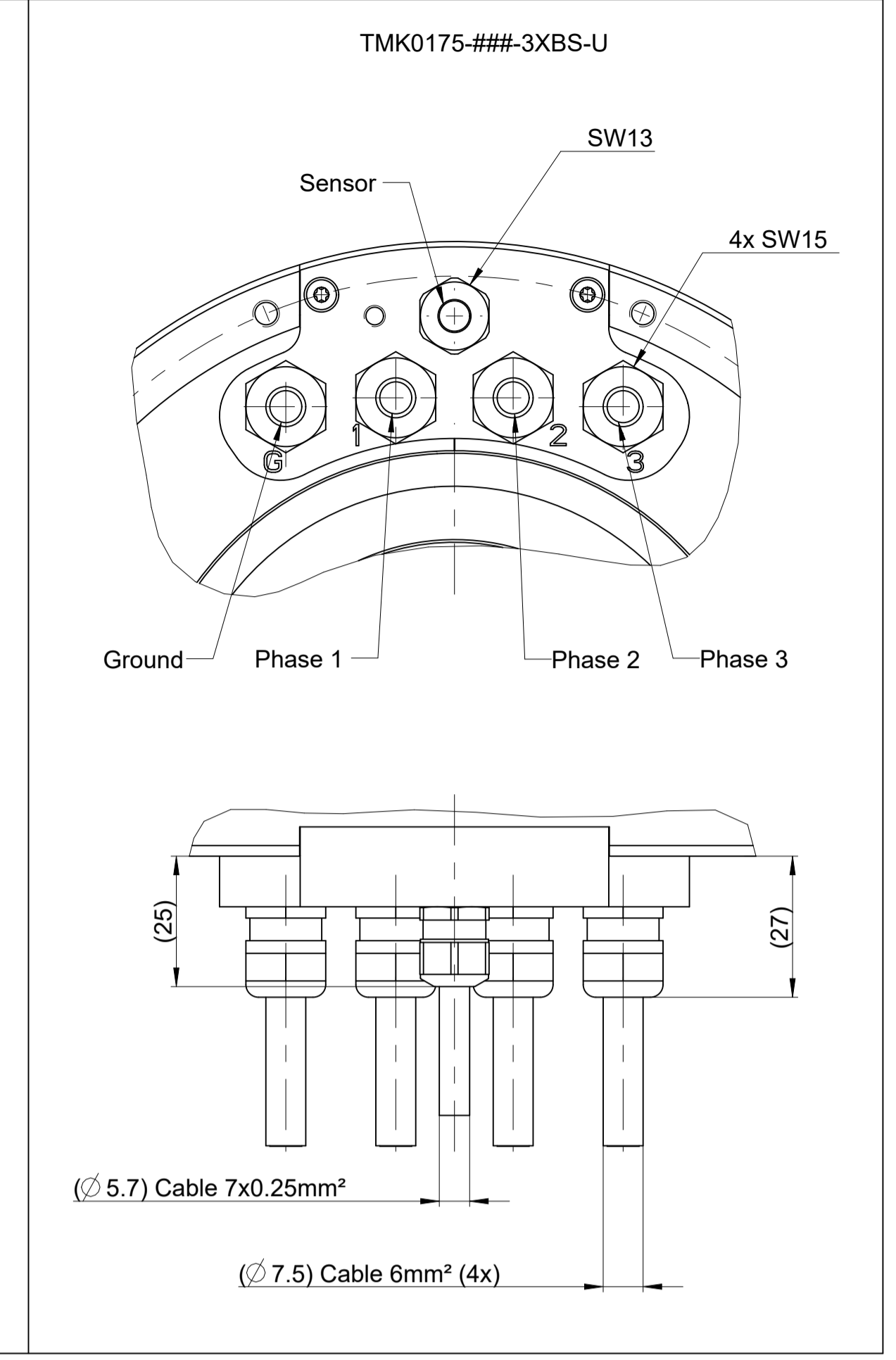
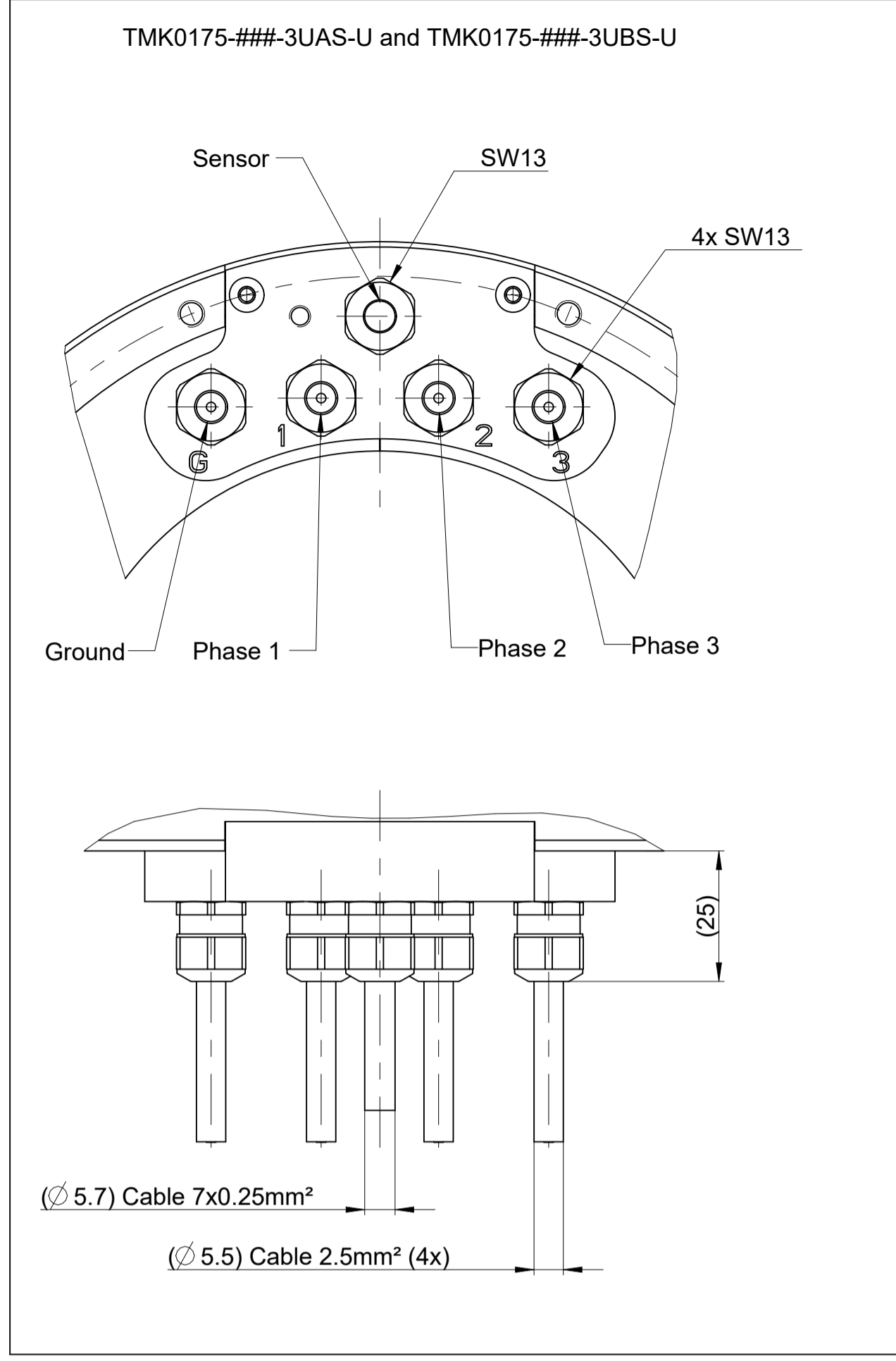
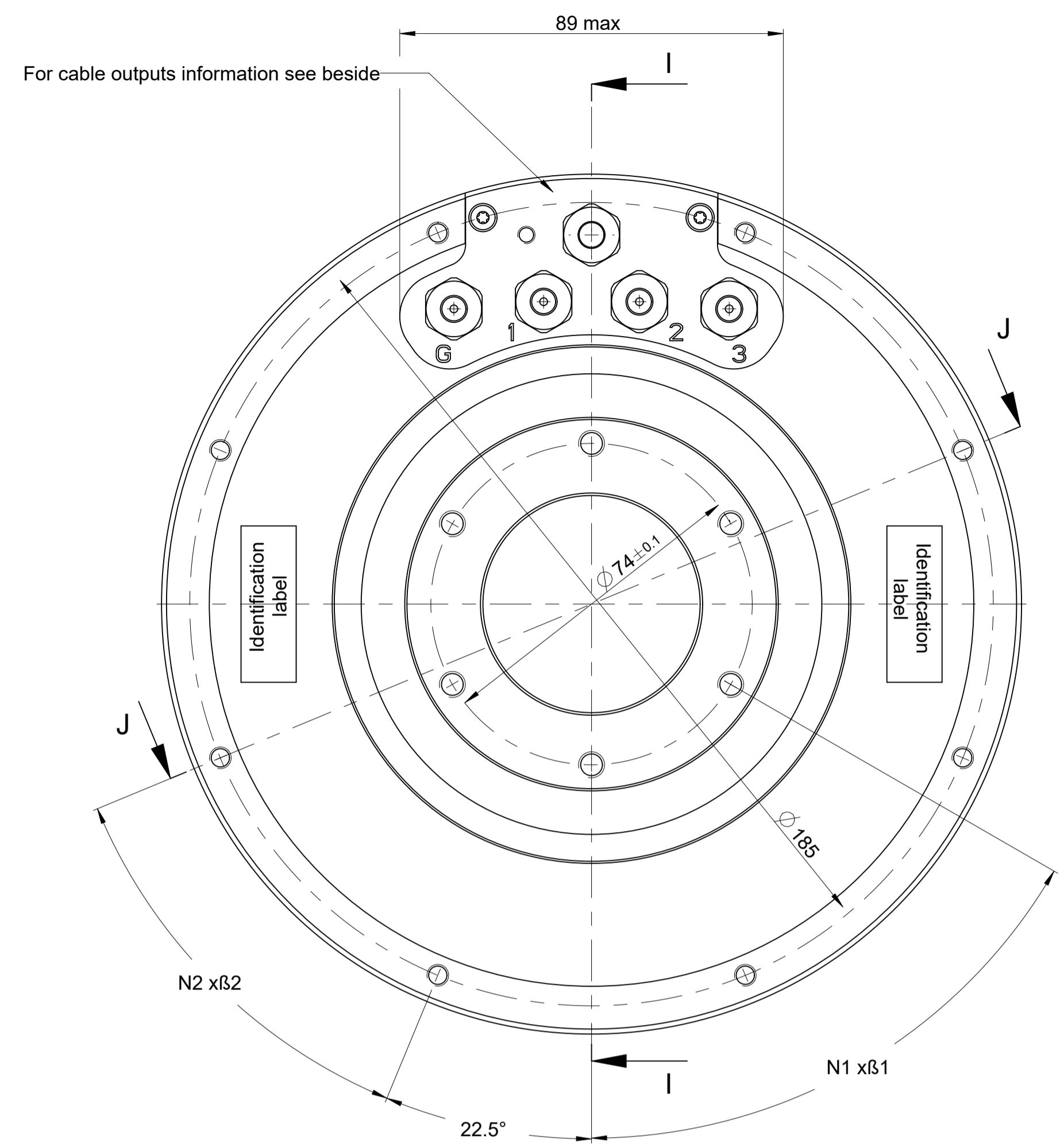


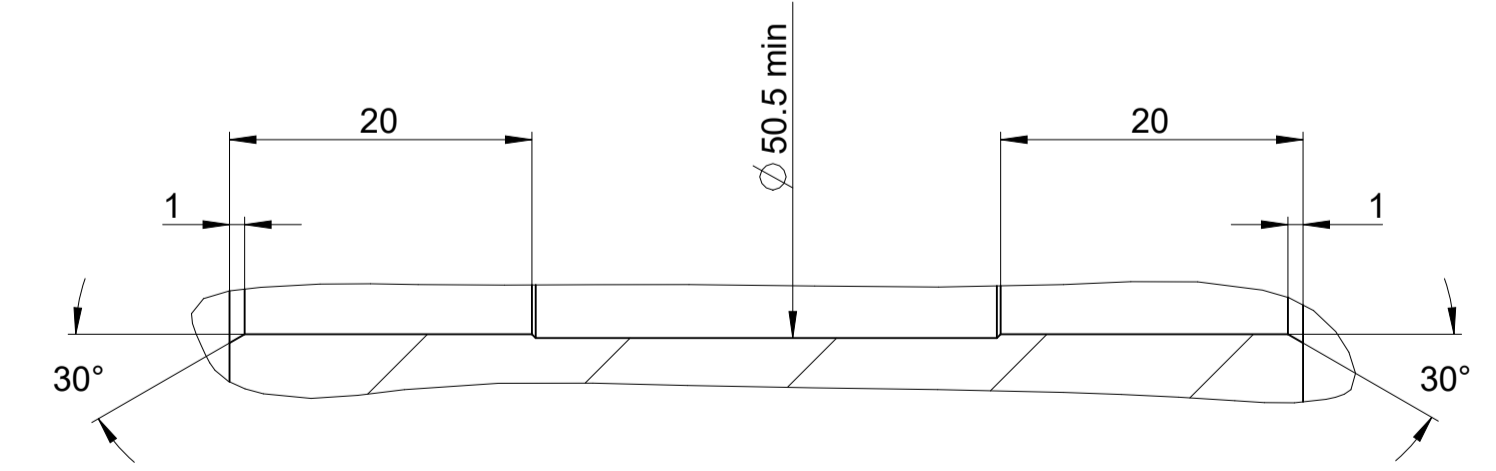
Rotor shoulder position on cable side



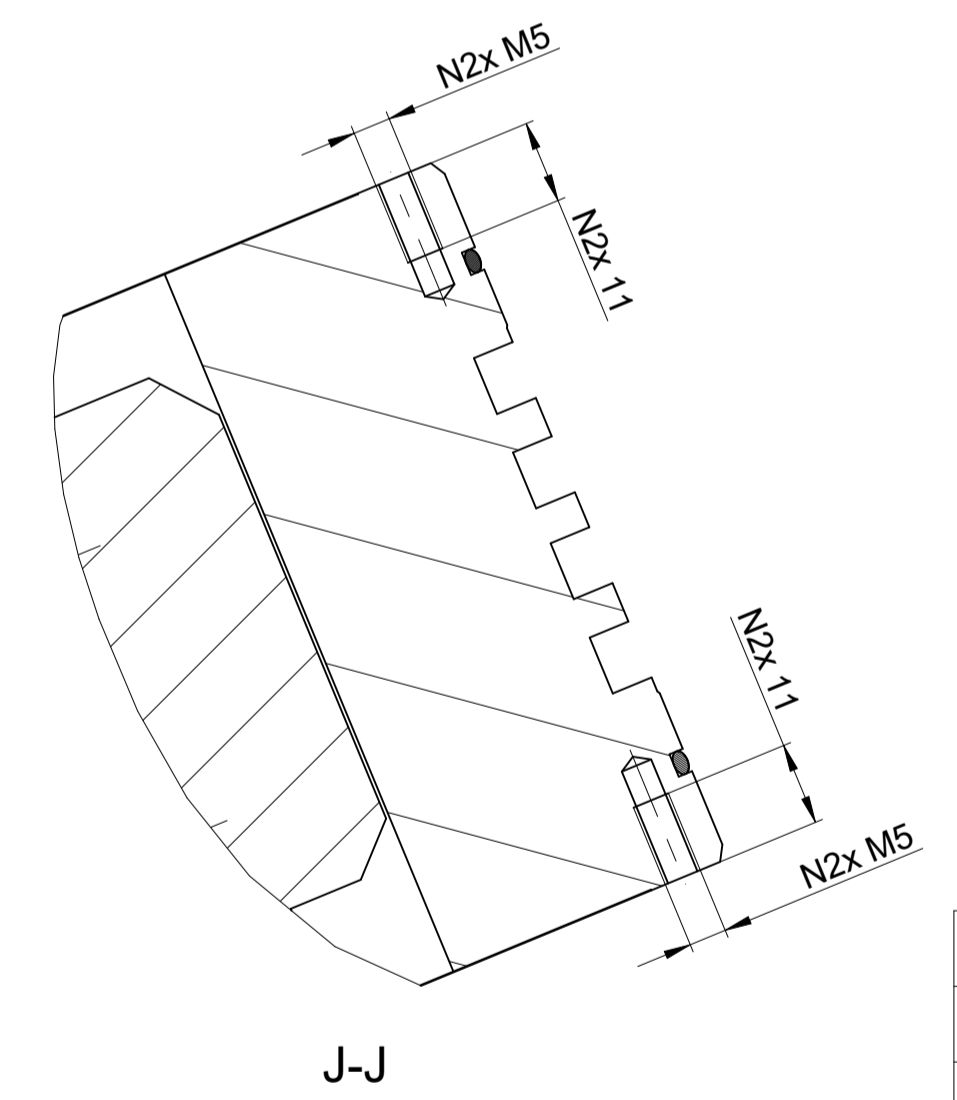
Rotor shoulder position on opposite side of cable



X
2:1



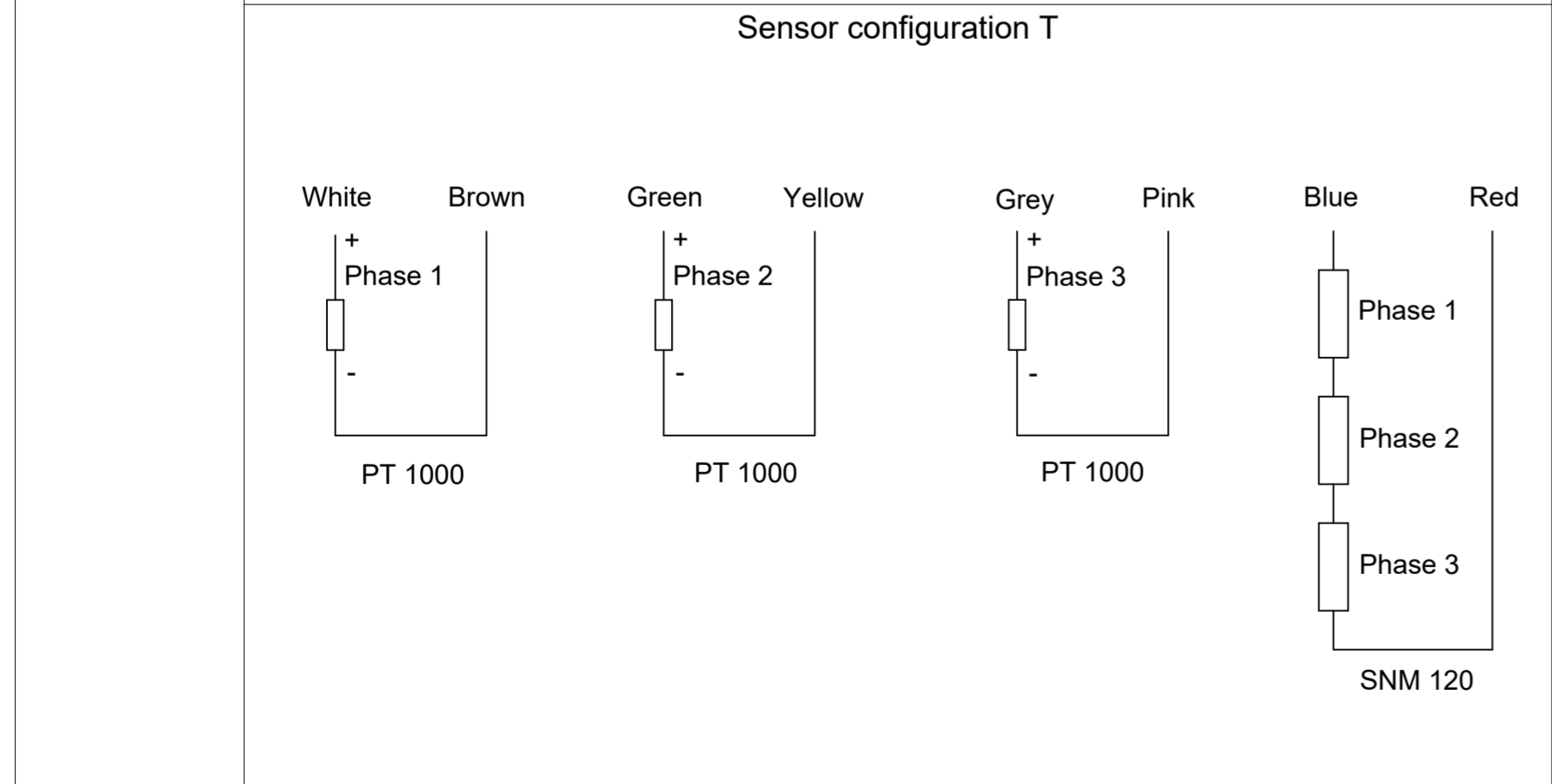
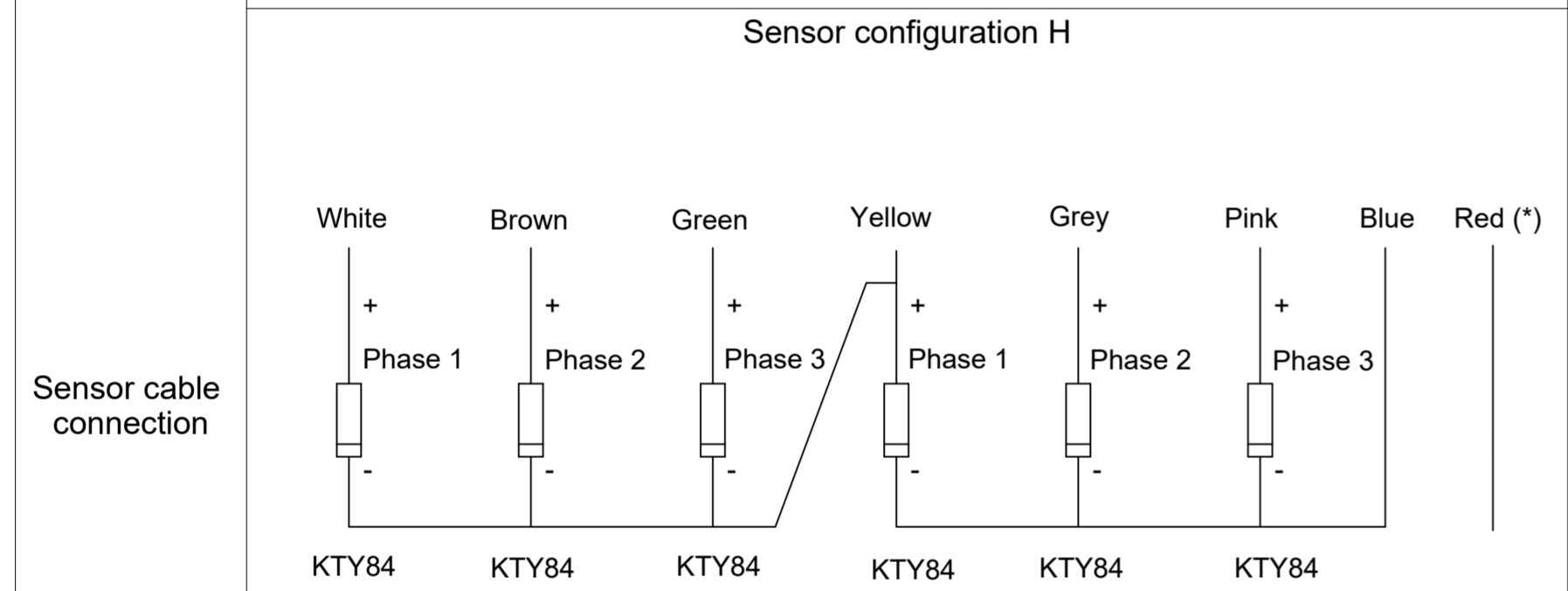
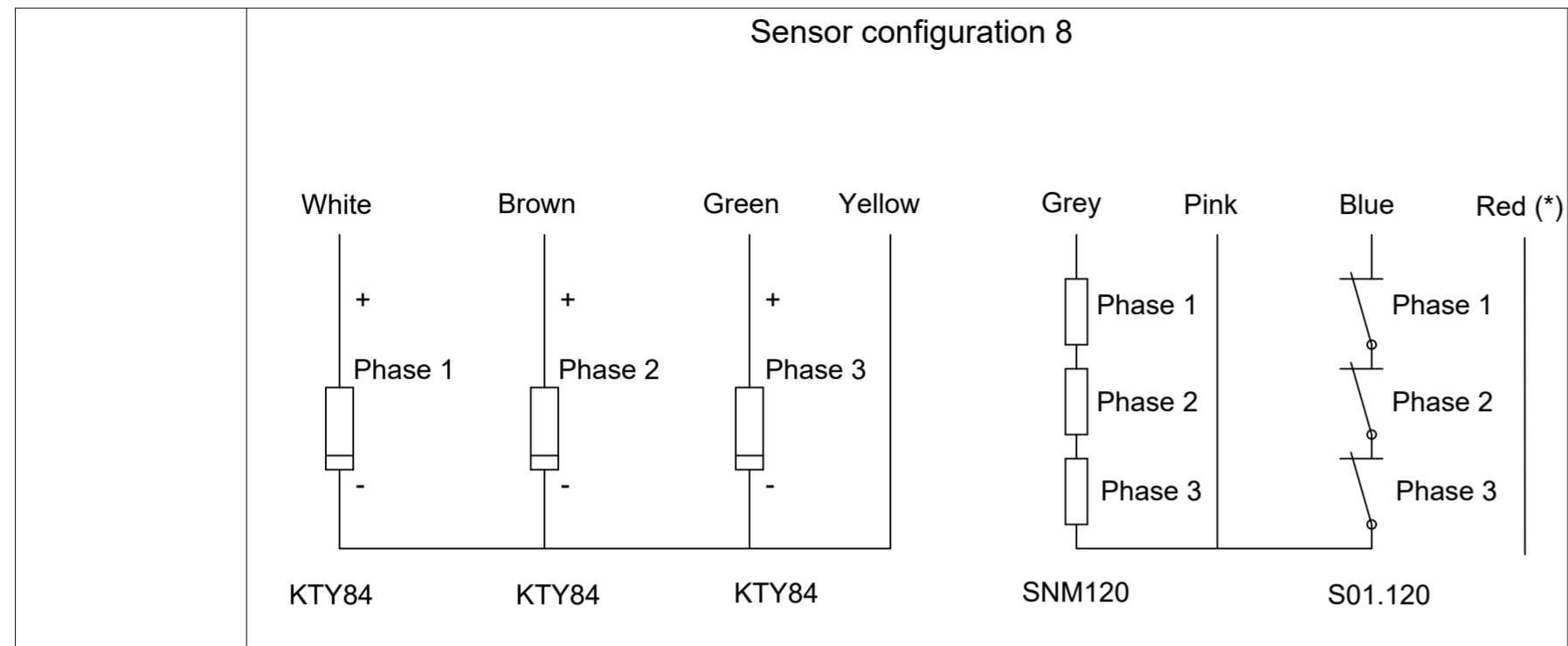
Y
2:1



J-J

| PRODUCT | L1 | L2 | L3 | N1 | N2 | β1 | β2 |
|-------------|-----|-----|-----|----|----|----|------|
| TMK0175-050 | 100 | 81 | 40 | 6 | 8 | 60 | 45 |
| TMK0175-070 | 120 | 101 | 60 | 6 | 8 | 60 | 45 |
| TMK0175-100 | 150 | 131 | 90 | 12 | 16 | 30 | 22.5 |
| TMK0175-150 | 200 | 181 | 140 | 12 | 16 | 30 | 22.5 |

| | | | |
|---|--|---|--|
| Text: | | ID number | |
| Original drawing Scale 1:1 Format A1 | | Change No. C115144-01 Released: 18.09.2020 | |
| RoHS 1:1 A1 | | Material: Matière: | |
| Torque motor TMK0175 (interface) Moteur couple fer TMK0175 (interface) | | | |
| Dimensions in mm / Cotes en mm | | Mating Dimensions / Cotes d'encrobrement | |
| Workpiece edges ISO 13715 Arêtes de formes selon ISO 13715 | General tolerances ISO 2768-mK Tolérances générales ISO 2768-mK | Surfaces as per ISO 1302 Etats de surface selon ISO 1302 | |
| -0.1 L±0.3 | +0.3 L±0.0 | Surface treatment: Traitement de surface: | |
| Tolerances as per ISO 8015 : 2011 Tolérances selon ISO 8015 : 2011 | | The reproduction, distribution and utilization of this document as well as the communication of its contents to others without express authorization is prohibited. Offenders will be held liable for the payment of damages. All rights reserved in the event of the grant of a patent, utility model or design. (ISO 18015.) | |
| ETEL ETEL S.A. 2112 Möhlers SWITZERLAND | | Version/Revision/Sheet Page 1039760-05-A-01 1 of 1 Document number | |



(*): Red wire (if present) is not connected on the motor side and cutted flush on cable extremity.

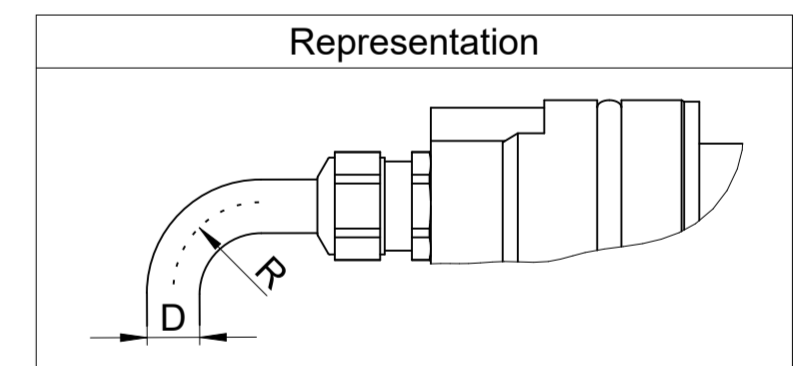
Power cable connection

| Color and wire number | Function | Drawing |
|---|---|---------|
| Black wire with number 1 or U | Phase 1 (PH1) | |
| Black wire with number 2 or V | Phase 2 (PH2) | |
| Black wire with number 3 or W | Phase 3 (PH3) | |
| Yellow and green wire | Ground (GND) | |
| Black wire with number Br1 or 5 or white cable | Neutral point wire (present only on some motor types) | |
| Black wire with number Br2 or 6 or black wire without label | None(**) | |

(**): This wire is automatically present when the neutral point wire (which is an option) is added in the motor as it is a 2 x 1 or 2 x 1.5 mm² cable.

Wire section (mm²)

| Characteristics | 1 x 1.5 | 1 x 2.5 | 1 x 4 | 1 x 6 | 1 x 10 | 1 x 16 | Sensor cable |
|--------------------------------------|--|--|-------------|-------------------------------|-------------------------------|--|--------------|
| Applicable motors | TMK0291 TMK0360 TMK0761 TMK0991 | TMK0175 TMK0291 TMK0360 TMK0530 | TMK0360 | TMK0175 TMK0360 TMK0530 | TMK0291 TMK0530 TMK0761 | TMK0360 TMK0530 TMK0761 TMK0991 | All TMK |
| Minimum bend radius for fixed cable | R = 5 X D | R = 4 X D | R = 4 X D | R = 4 X D | R = 4 X D | R = 4 X D | R = 6 X D |
| Minimum bend radius for moving cable | R = 10 x D | R = 7.5 X D | R = 7.5 X D | R = 7.5 X D | R = 7.5 X D | R = 7.5 X D | R = 12 X D |



| | | | | | | |
|---|--|--|--|---|--|---|
| Text: | | Original drawing Scale: 1:1 Format: A2 | | TMK sensor config. and cables prop. (interface) | | ID number |
| RoHS | | 1:1 A2 | | TMK config. capteur et prop. câbles (interface) | | Change No. C115144-05 Released: 18.09.2020 |
| Workpiece edges ISO 13715 Arêtes de formes selon ISO 13715 | | General tolerances ISO 2768-mK Tolérances générales ISO 2768-mK | | Surfaces as per ISO 1302 Etats de surface selon ISO 1302 | | Material: Matière: |
| Tolerances as per ISO 8015 : 2011 Tolérances selon ISO 8015 : 2011 | | Surface treatment: Traitement de surface: | | | | |
| The reproduction, distribution and utilization of this document as well as the communication of its contents to others without express authorization is prohibited. Offenders will be held liable for the payment of damages. All rights reserved in the event of the grant of a patent, utility model or design. (ISO 16016) | | | | | | |
| ETEL | | ETEL S.A. 2112 Môtiers SWITZERLAND | | Version/Revision/Sheet | | Page |
| | | | | 1328572-00-A-01 | | 1 of 1 |
| | | | | Document number | | |