

Designation	L1	L2	L3	L4	N1	N2	β
TMB+0175-030	80	50	10	31	8	8	45°
TMB+0175-050	100	70		51			
TMB+0175-070	120	90		71			
TMB+0175-100	150	120	15	101	16	15	22.5°
TMB+0175-150	200	170		151			
TMB+0175-200	250	220		202			

Text: Release n°: C075986-31 Serial Part number

Material: -

Treatment: -

Edges of undefined shape ISO 13345: -

Drawn: - Checked: - Approved: -

Guidot: 21.09.2018

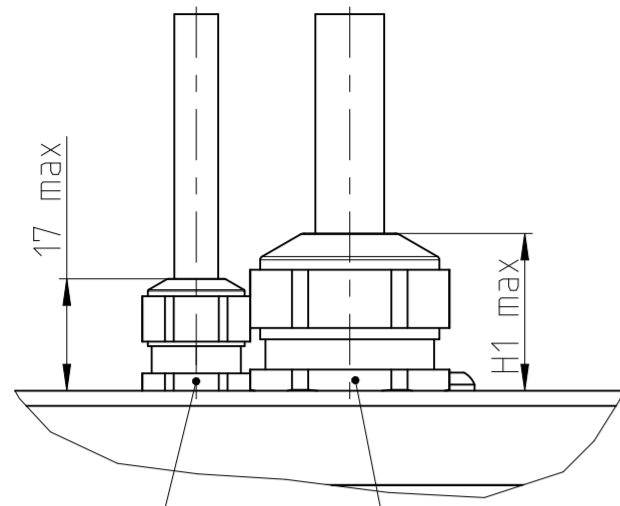
TMB+0175-###-####-O#-AAO

ETEL S.A. 2712 Möllens SWITZERLAND

This document is the property of ETEL S.A. and is submitted in confidence. Disclosure, reproduction or application without written authorization is prohibited.

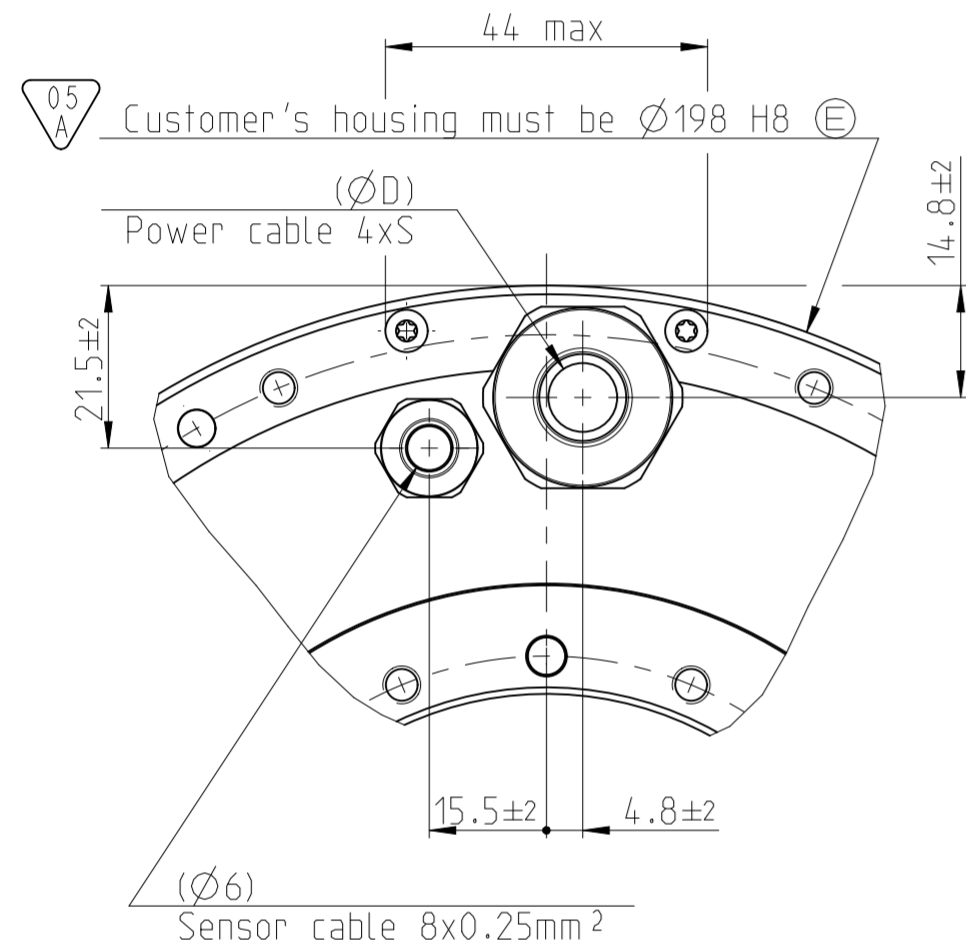
Projection: A1 Size: A1 Scale: 1:1 Old n°: 1175443 Version/Revision: 05 A Sheet: 01 Page: 2

Type 1

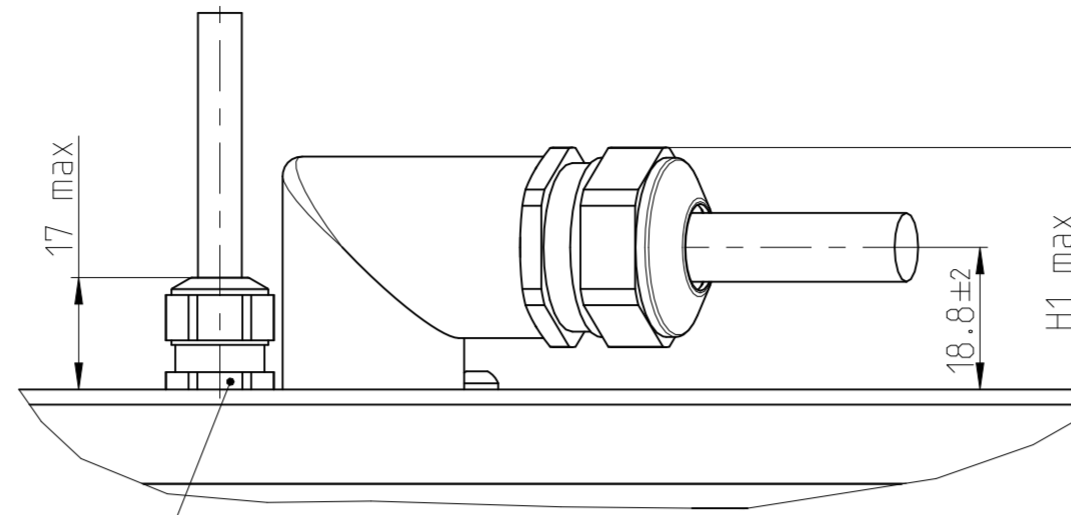


Wrench size : 13mm

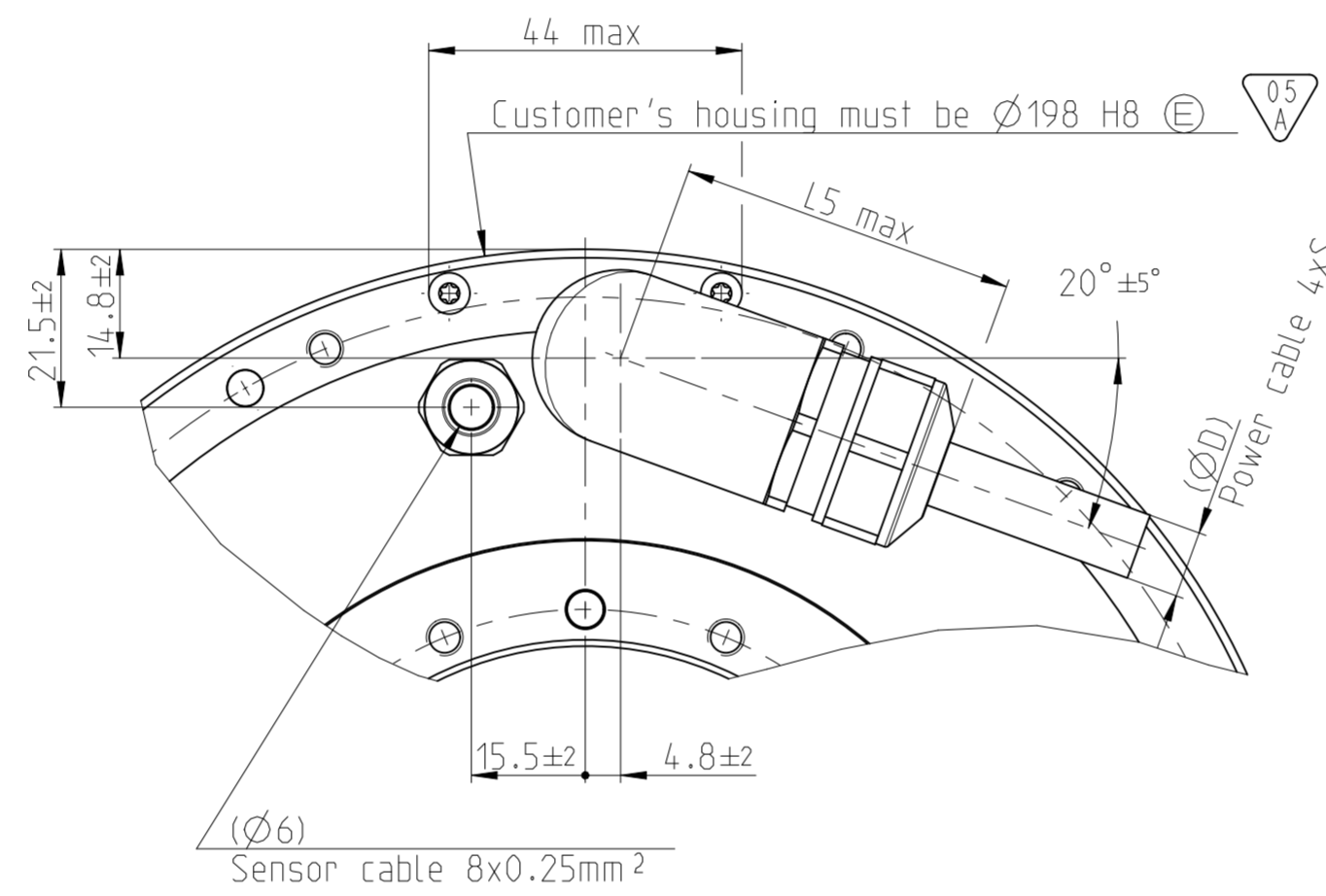
Wrench size : SWmm



Type 2

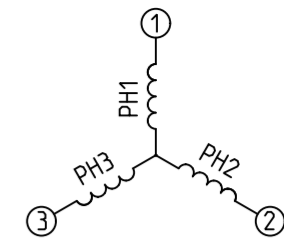


Wrench size : 13mm

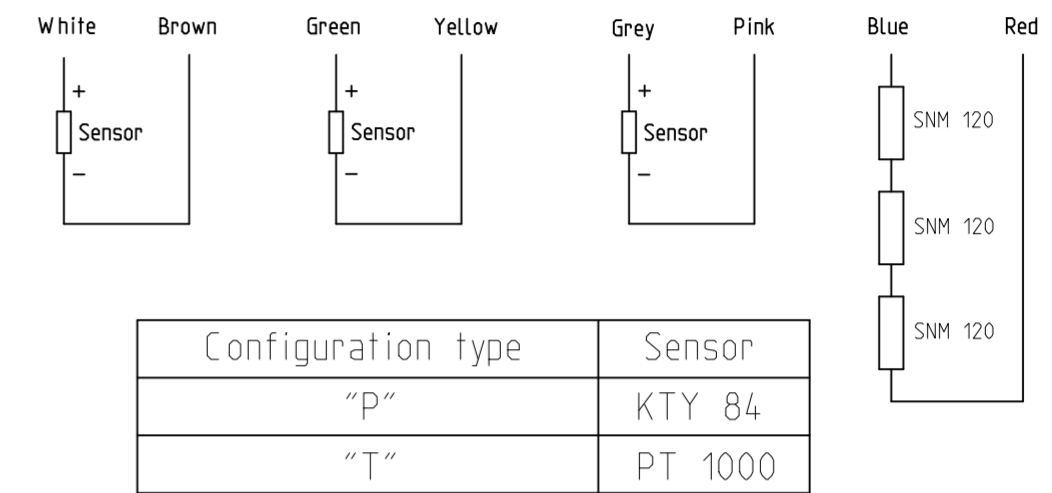


Power cable connection

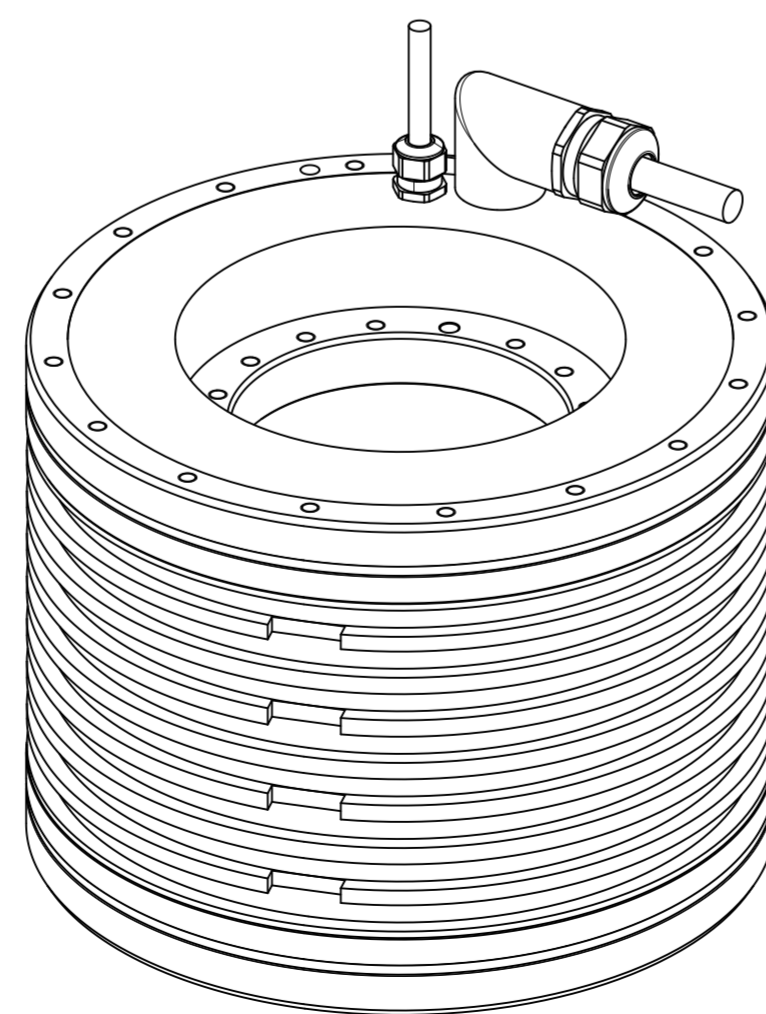
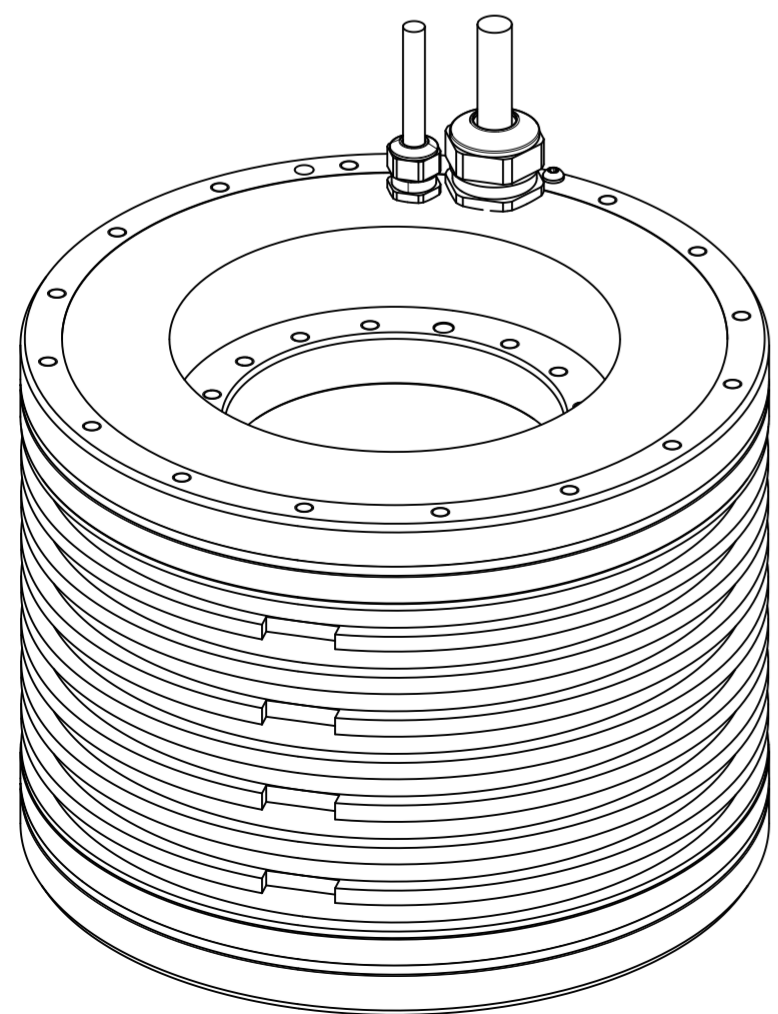
Phase 1 = wire 1
Phase 2 = wire 2
Phase 3 = wire 3
PE = yellow/green wire



Sensor cable connection: "P" or "T" configuration



Motor family	0140	0210	0290
	0175		0360
Connection	0291	0450	0530
		0760	0990
		1221	
White - Brown	Phase 1	Phase 3	Phase 2
Green - Yellow	Phase 3	Phase 2	Phase 1
Grey - Pink	Phase 2	Phase 1	Phase 3



Designation	Output type	S=Wire section [mm ²]	L5 [mm]	H1 [mm]	D [mm]	Sw [mm]	Bending radius [mm]	
TMB+0175-###-RA#S#	Type 1	1.5	-	26	9.1	24	Static bending radius for: - sensor cable = 30 - power cable = 4x ØD	
TMB+0175-###-RA#E#	Type 2		51.5	34.5				
TMB+0175-###-RB#S#	Type 1		-	26				
TMB+0175-###-RB#E#	Type 2		51.5	34.5				
TMB+0175-###-TA#S#	Type 1		-	26				
TMB+0175-###-TA#E#	Type 2		51.5	34.5				
TMB+0175-030 to 070-TB#S#	Type 1		-	26	10.6			
TMB+0175-030 to 070-TB#E#	Type 2		51.5	34.5				
TMB+0175-100 to 200-TB#S#	Type 1		2.5	-	26			
TMB+0175-100 to 200-TB#E#	Type 2		51.5	34.5	10.6			
TMB+0175-###-VB#S#	Type 1		4	-	28			11.9
TMB+0175-###-VB#E#	Type 2		53.5	34.5	11.9			

05 A Text : Release n° : C075986-31 Serial Part number

Material : -
Treatment : -
Edges of undefined shape ISO 13715
E:0,3
F:0,3

TMB+0175-###-####-O#-AAO
TMB+0175-###-####-O#-AAO

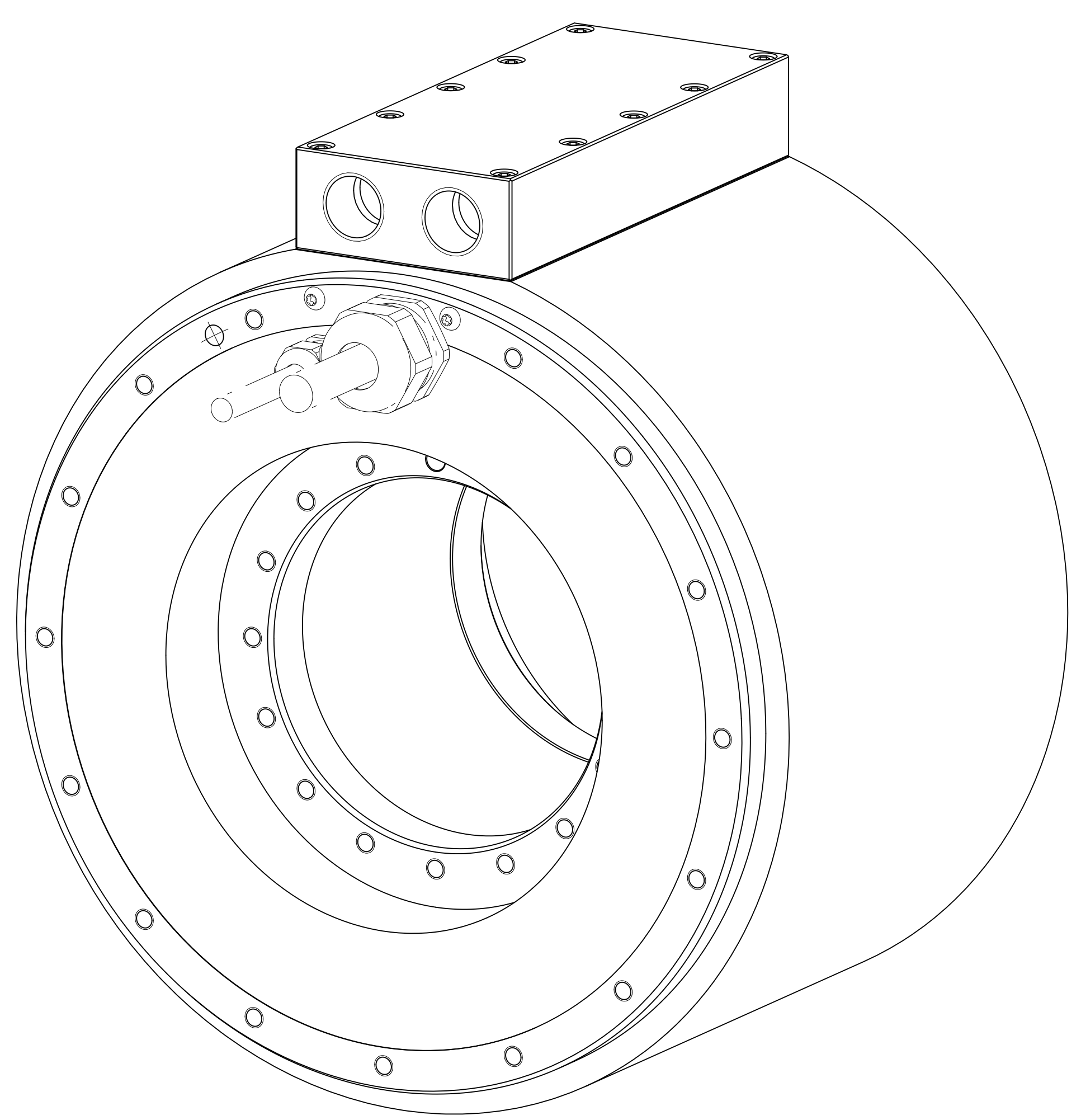
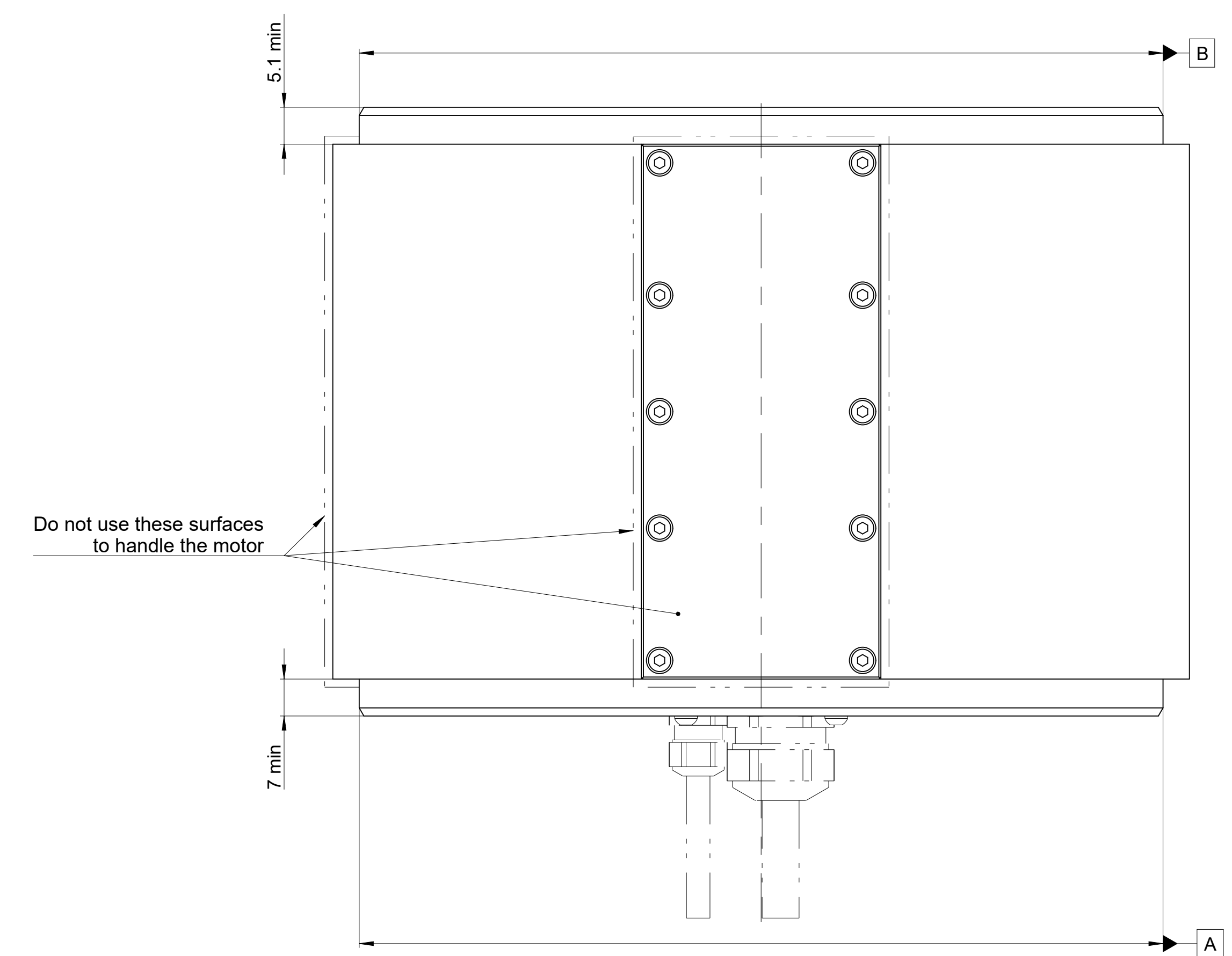
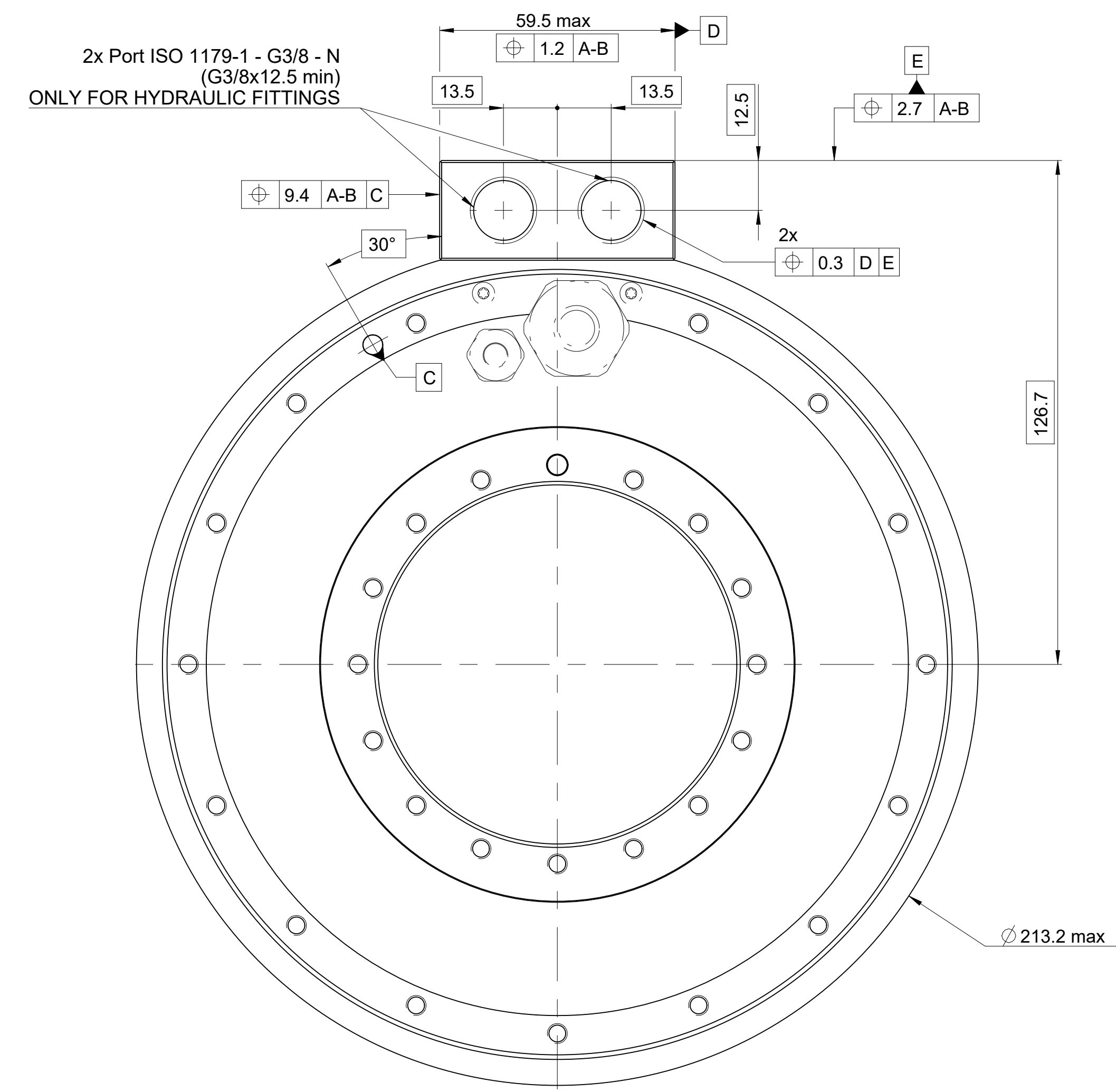
Drawn	Checked	Approved
Guidot		
21.09.2018		

ETEL ETEL S.A. 2112 Möllens SWITZERLAND
This document is the property of ETEL S.A. and is submitted in confidence. Disclosure, reproduction or publication without written authorization is prohibited.

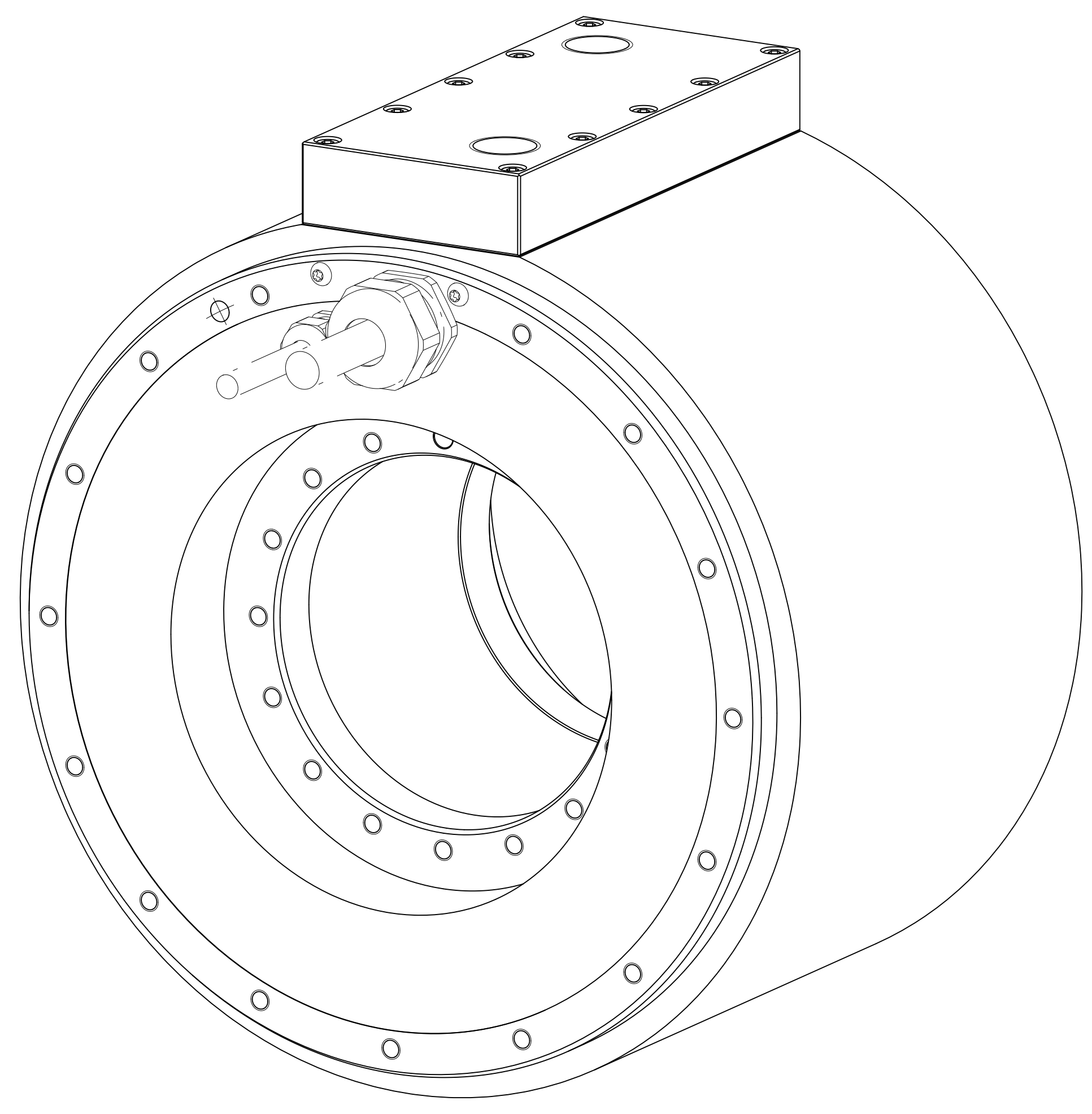
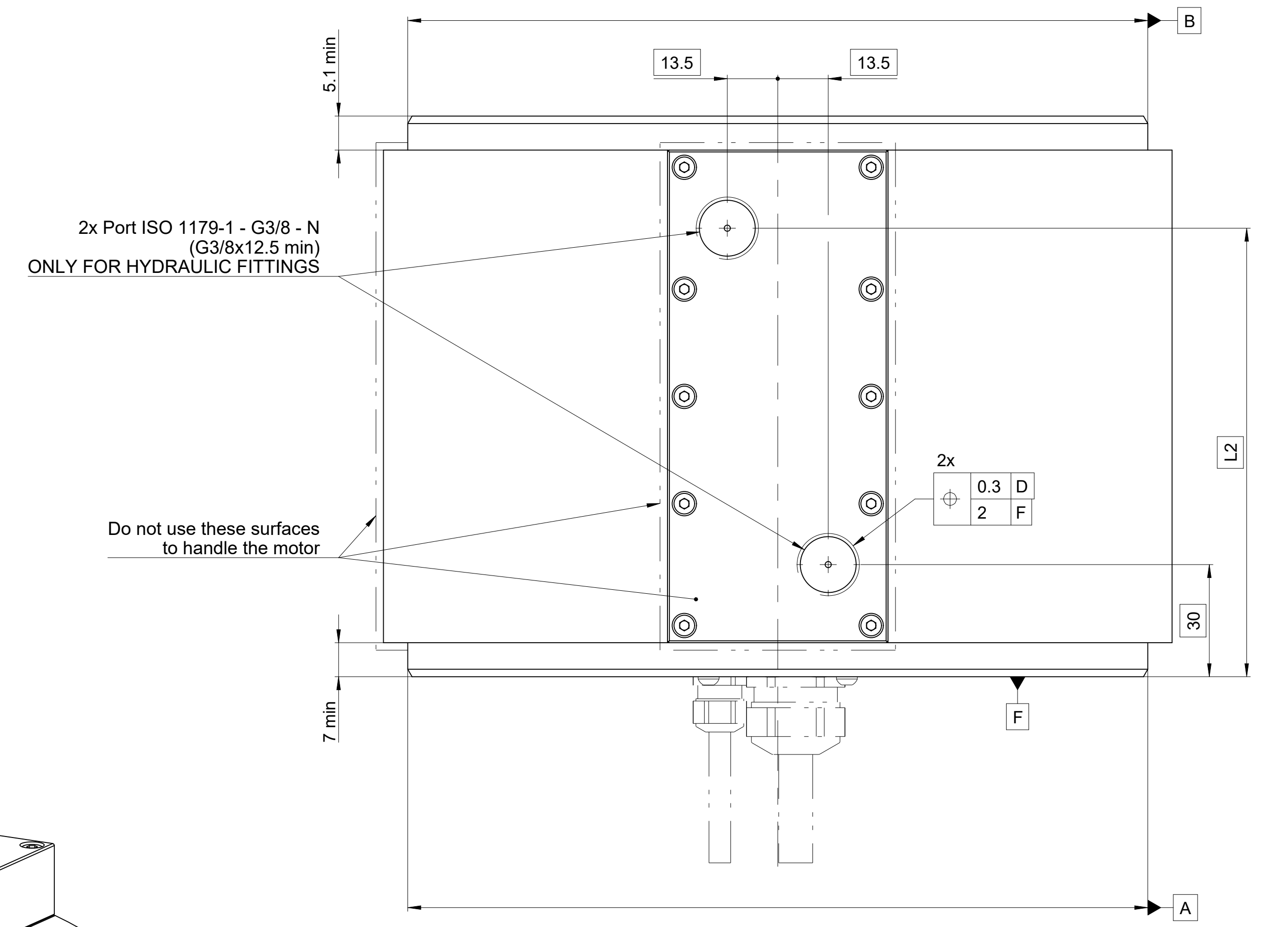
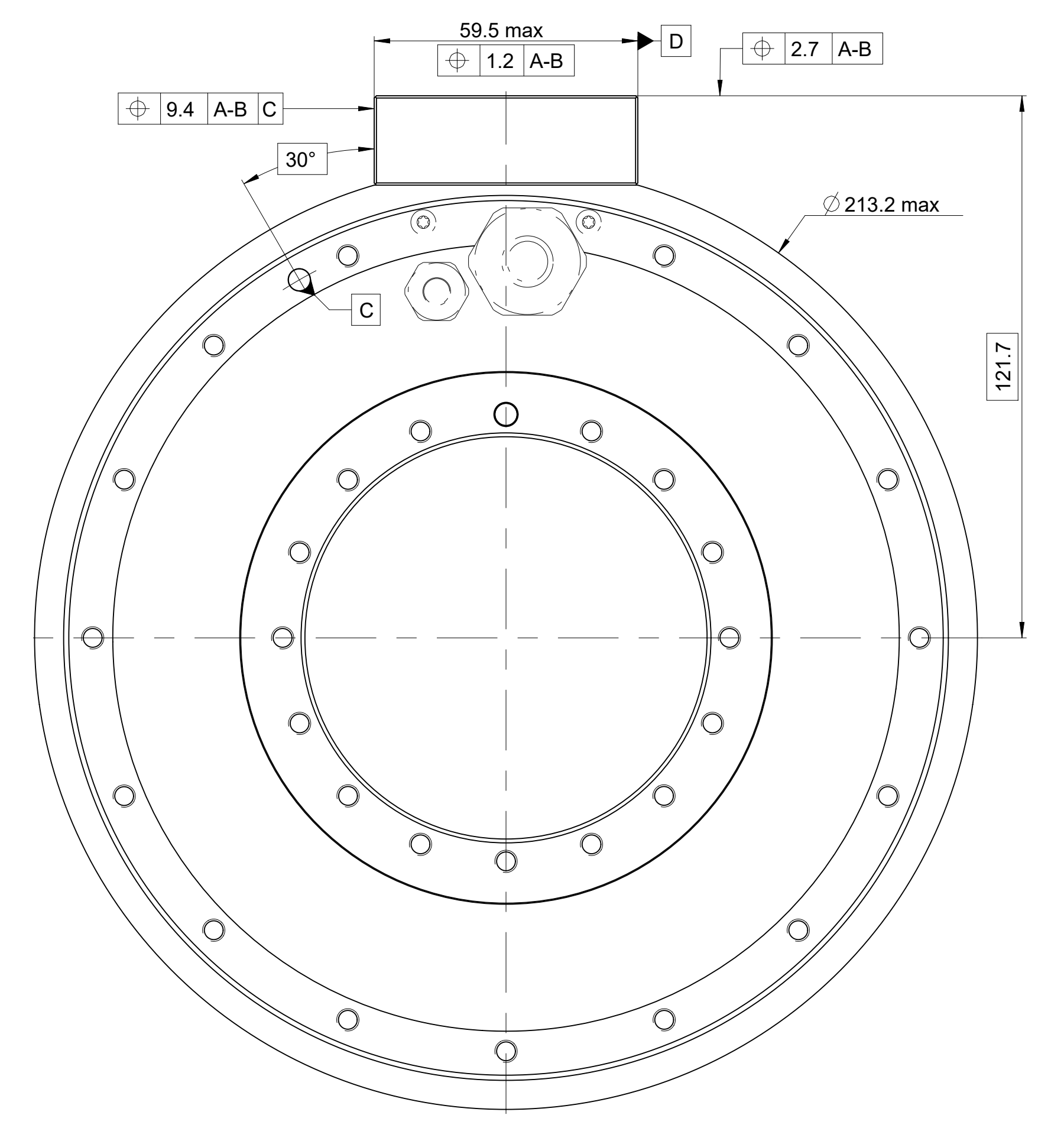
Projection Size Scale Old n° Version/Revision Sheet Page
A2 1:1 1175443 05 A 01 2/2

Original Document number

TMB+0175-###-#####-A#-AA0
 (Annex to interface drawing 1175443: please check for motor and cable output information)



TMB+0175-###-#####-R#-AA0
 (Annex to interface drawing 1175443: please check for motor and cable output information)



Designation	L2
TMB+0175-030	50
TMB+0175-050	70
TMB+0175-070	90
TMB+0175-100	120
TMB+0175-150	170
TMB+0175-200	220