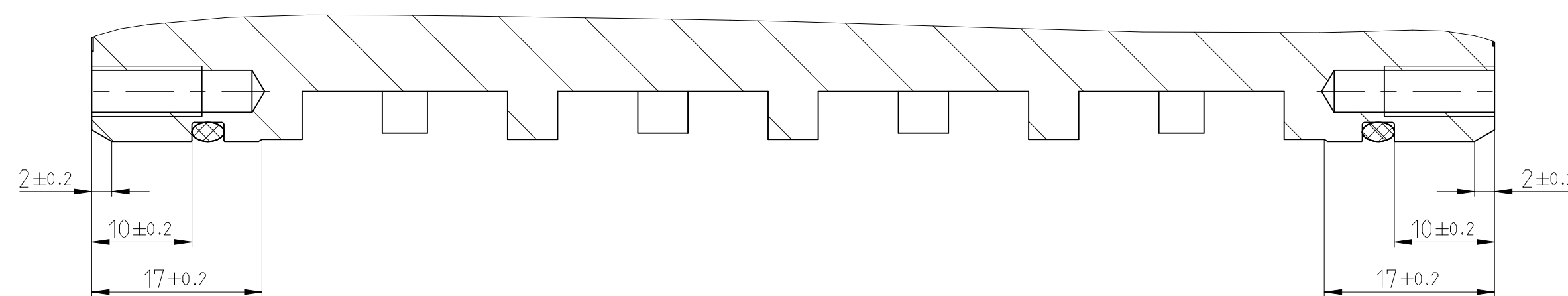
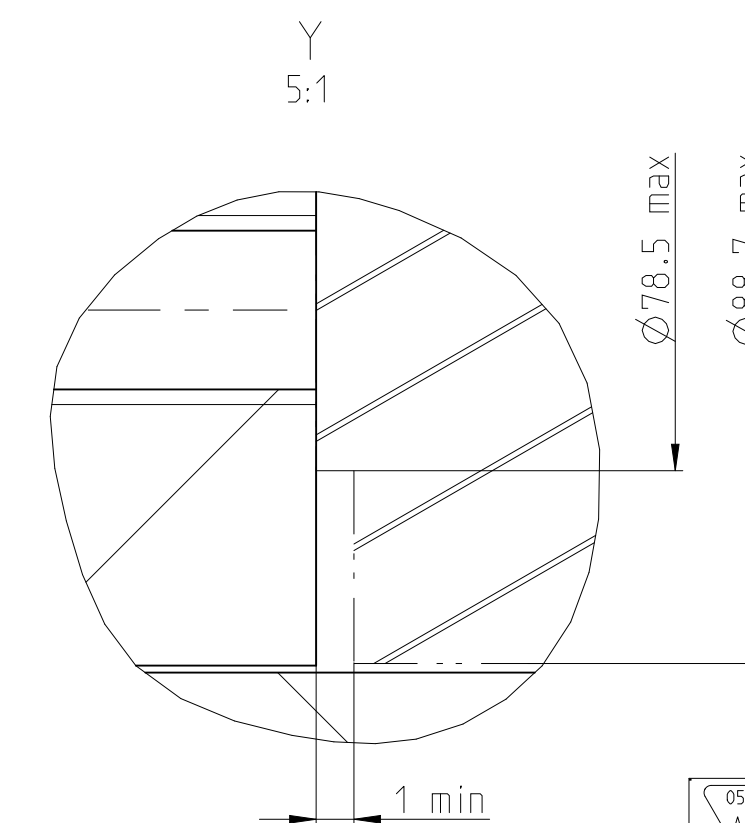


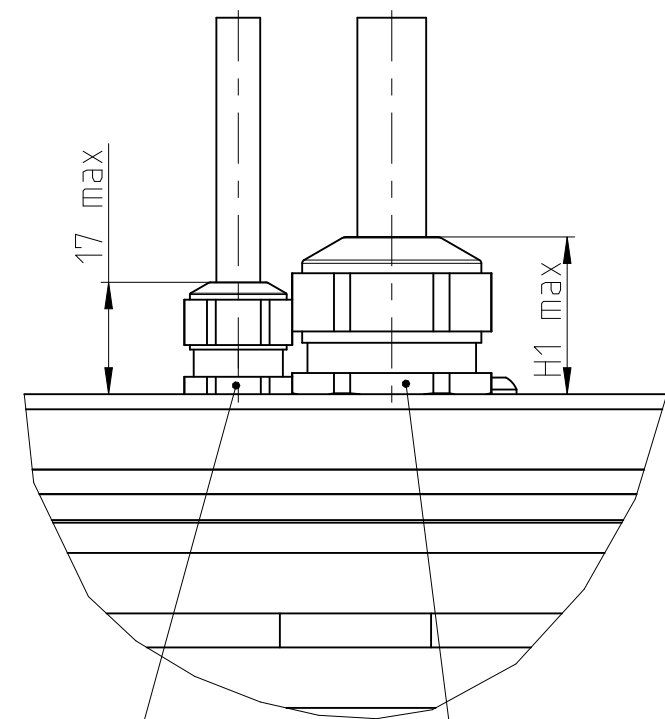
Magnet safety clearance



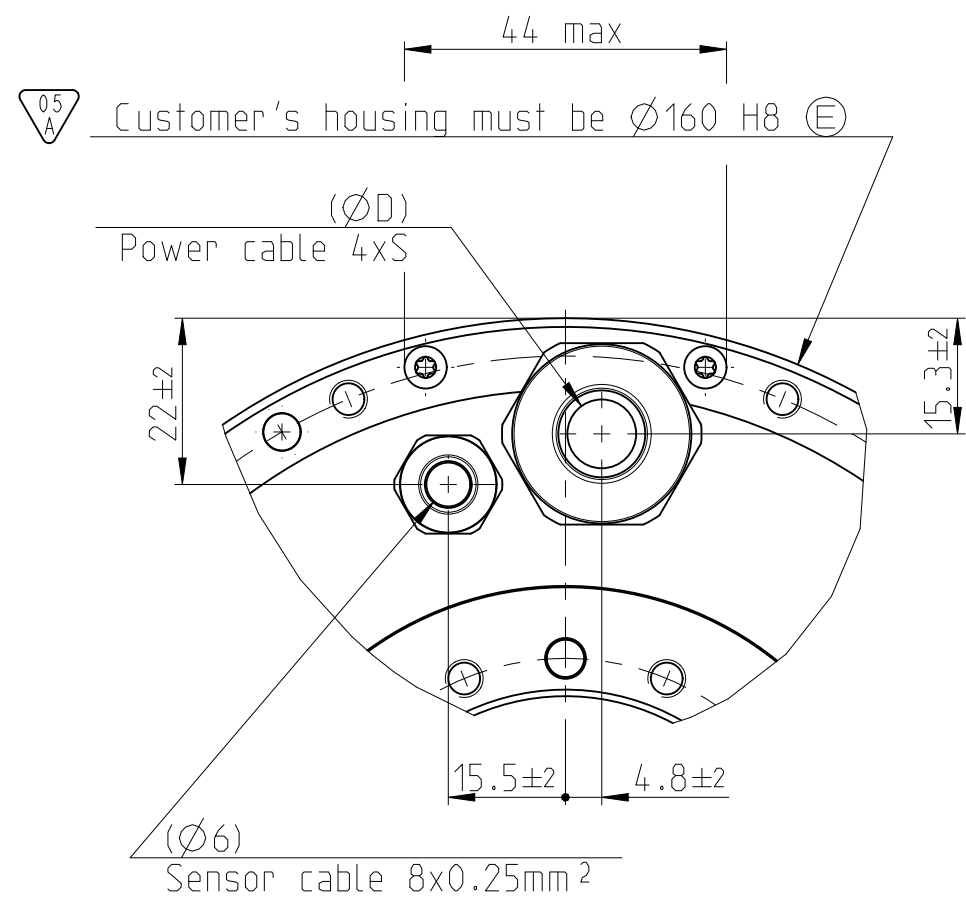
Designation	L1	L2	L3	L4	N1	N2	β
TMB+0140-030	70	45	10	31			
TMB+0140-050	90	65		51	8	8	45°
TMB+0140-070	110	85		71			
TMB+0140-100	140	115	15	101			
TMB+0140-150	190	165		151	16	15	22.5°
TMB+0140-200	240	215		202			

Text:		Release n°: C075986-30		Serial		Part number	
Material:		-		-		-	
Treatment:		-		-		-	
Edges of undefined shape ISO 13345		-		-		-	
TMB+0140-###-####-O#-AAO		Drawn		Checked		Approved	
21.09.2018		Guliot					
ETEL S.A. 2712 Mollens SWITZERLAND		This document is the property of ETEL S.A. and is submitted in confidence. Disclosure, reproduction or application without written authorization is prohibited.		Projection		Size	
www.etel.ch		Original		Scale		Old n°:	
A1		1:1		1175001		Version/Revision Sheet Page	
05 A		01		1		2	

Type 1



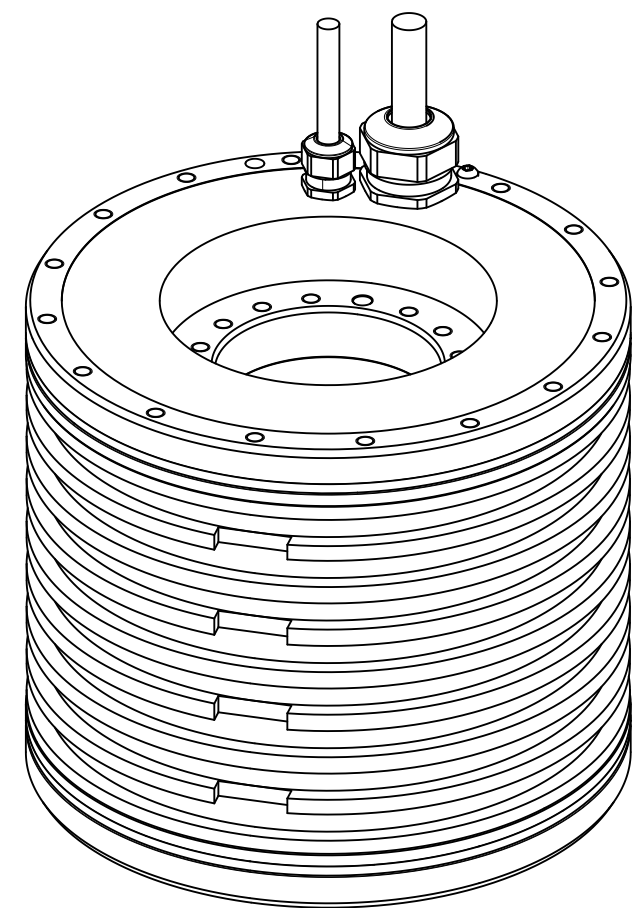
Wrench size: 13mm Wrench size: SWmm



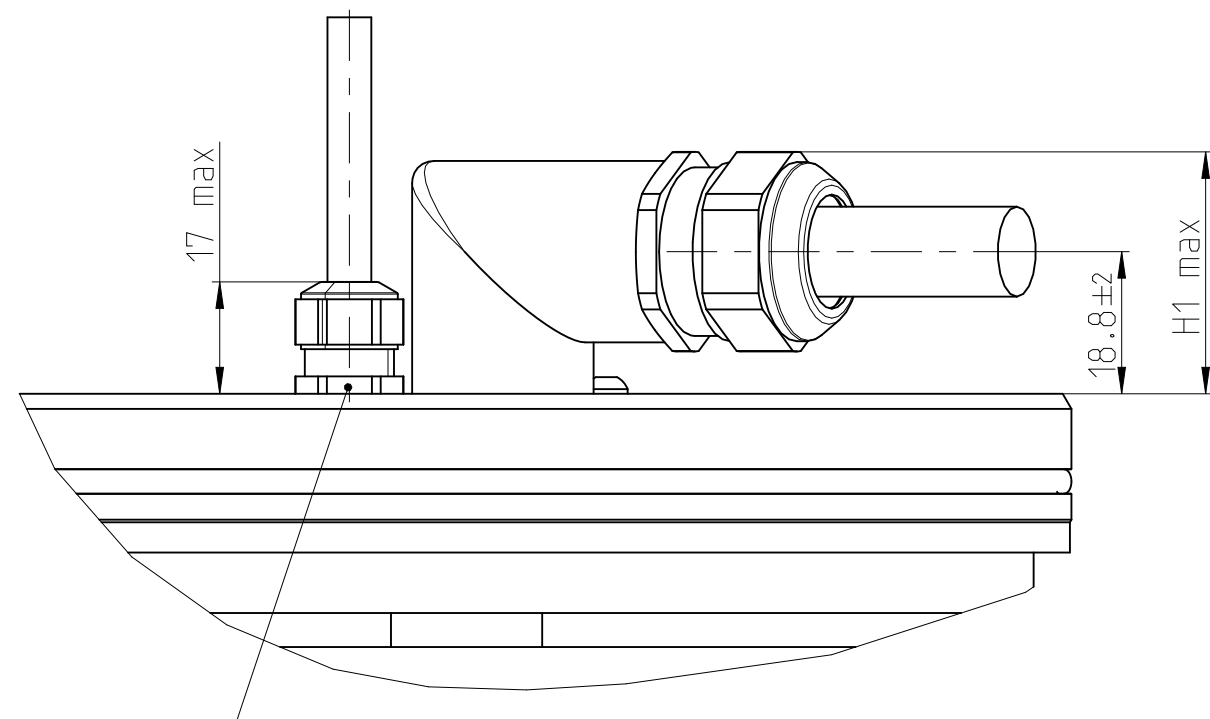
Customer's housing must be $\varnothing 160$ H8 (E)

Power cable 4xS

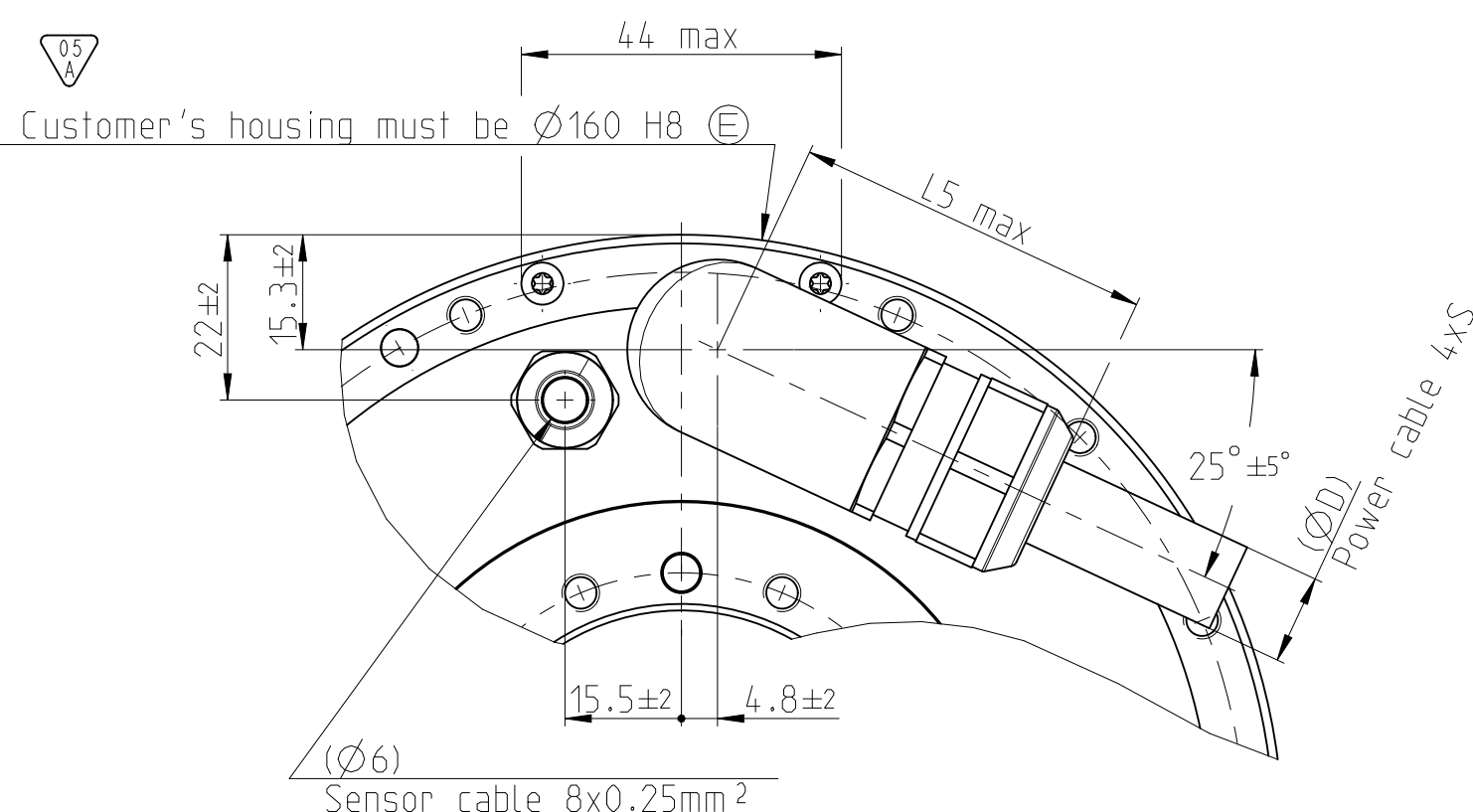
Sensor cable 8x0.25mm²



Type 2

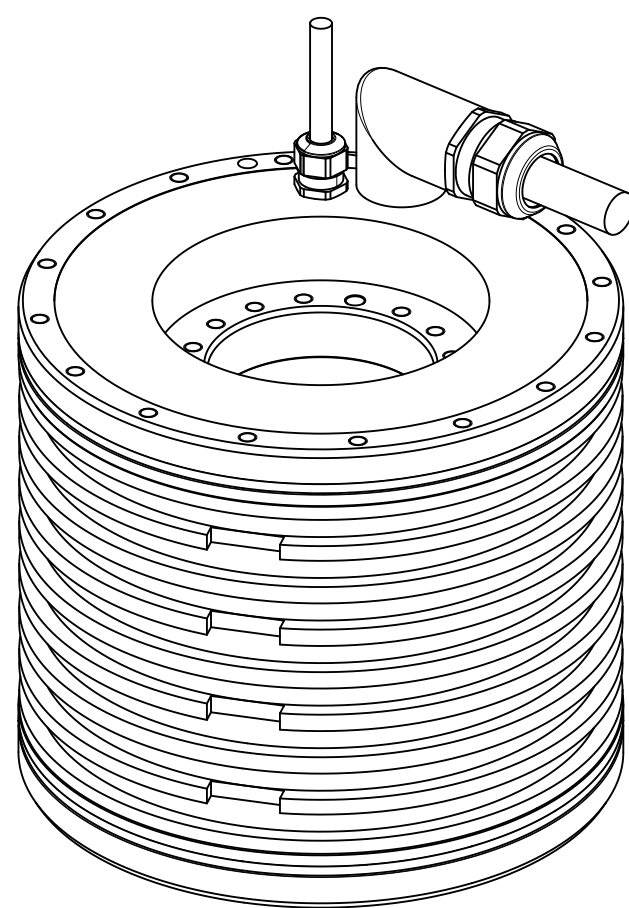


Wrench size: 13mm



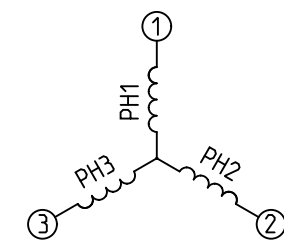
Customer's housing must be $\varnothing 160$ H8 (E)

Sensor cable 8x0.25mm²

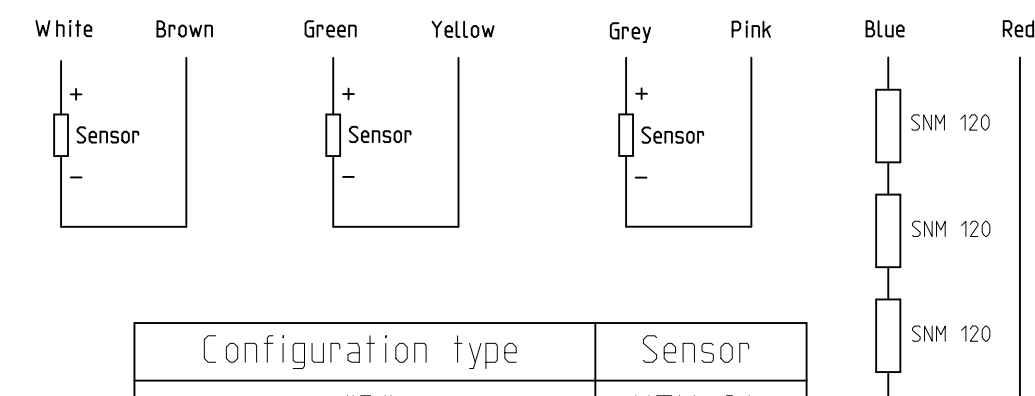


Power cable connection

Phase 1 = wire 1
Phase 2 = wire 2
Phase 3 = wire 3
PE = yellow/green wire



Sensor cable connection: "P" or "T" configuration



Configuration type	Sensor
"P"	KTY 84
"T"	PT 1000

Motor family	0140	0210	0290	
	0175		0360	
	0291		0450	
			0530	
			0760	
Connection			0990	
			1221	
	White - Brown	Phase 1	Phase 3	Phase 2
	Green - Yellow	Phase 3	Phase 2	Phase 1
	Grey - Pink	Phase 2	Phase 1	Phase 3

Designation	Output type	S= Wire section [mm ²]	L5 [mm]	H1 [mm]	D [mm]	SW [mm]	Bending radius [mm]
TMB+0140-###-RA#S#	Type 1	1.5	-	26	9.1	24	Static bending radius for : - sensor cable = 30 - power cable = 4x ØD
TMB+0140-###-RA#E#	Type 2		51.5	34.5			
TMB+0140-###-SA#S#	Type 1		-	26			
TMB+0140-###-SA#E#	Type 2		51.5	34.5			
TMB+0140-###-SB#S#	Type 1		-	26			
TMB+0140-###-SB#E#	Type 2		51.5	34.5			
TMB+0140-###-TA#S#	Type 1		-	26			
TMB+0140-###-TA#E#	Type 2		51.5	34.5			
TMB+0140-###-UB#S#	Type 1	4	-	28	11.9		
TMB+0140-###-UB#E#	Type 2		53.5	34.5			

05 A Text : Release n° : C075986-30 Serial Part number

Material : -
Treatment: -
Edges of undefined shape ISO 13715
E:0,3 +0,3

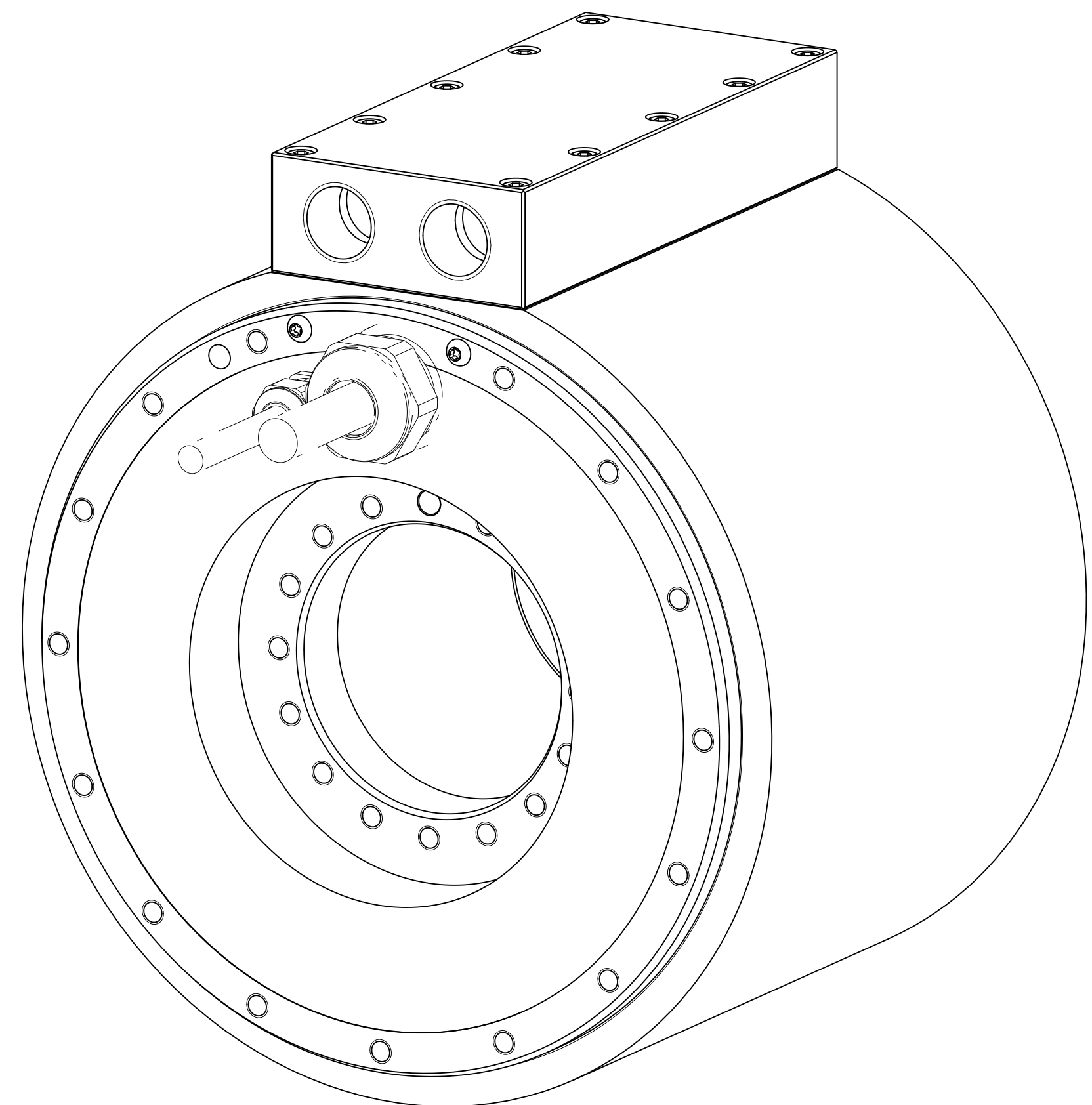
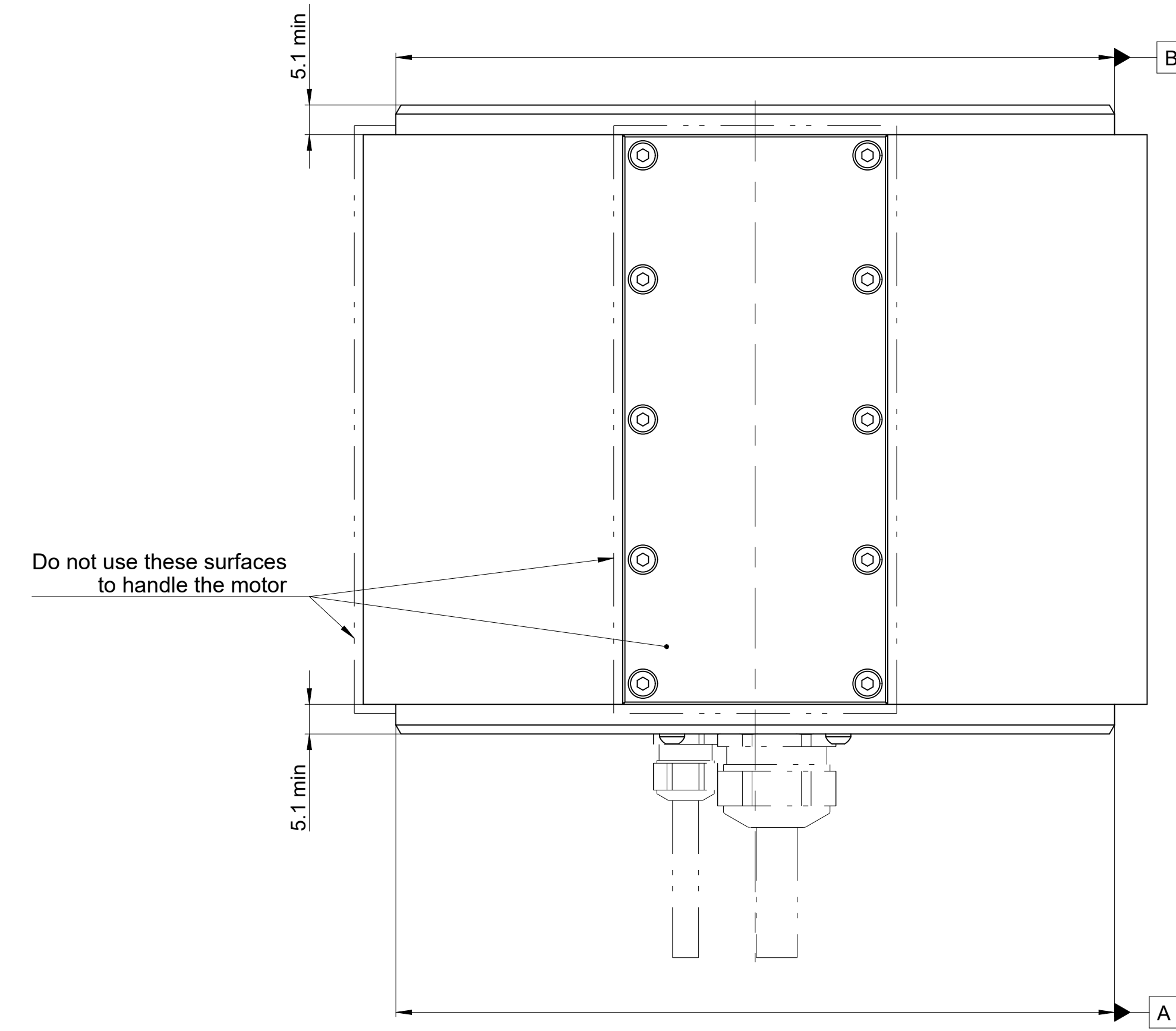
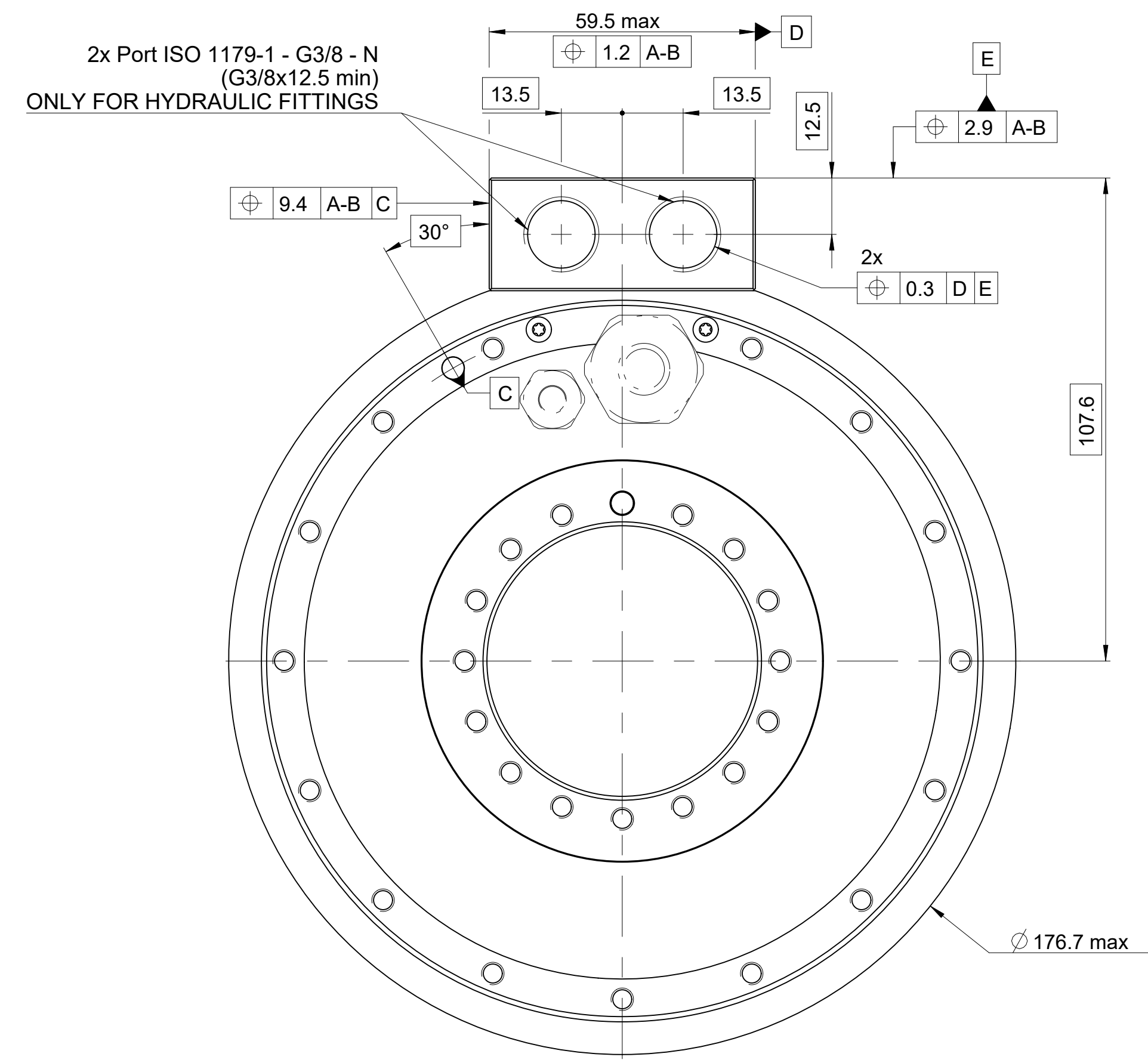
TMB+0140-###-####-O#-AAO

Drawn: Guidot, 21.09.2018
Checked: Approved

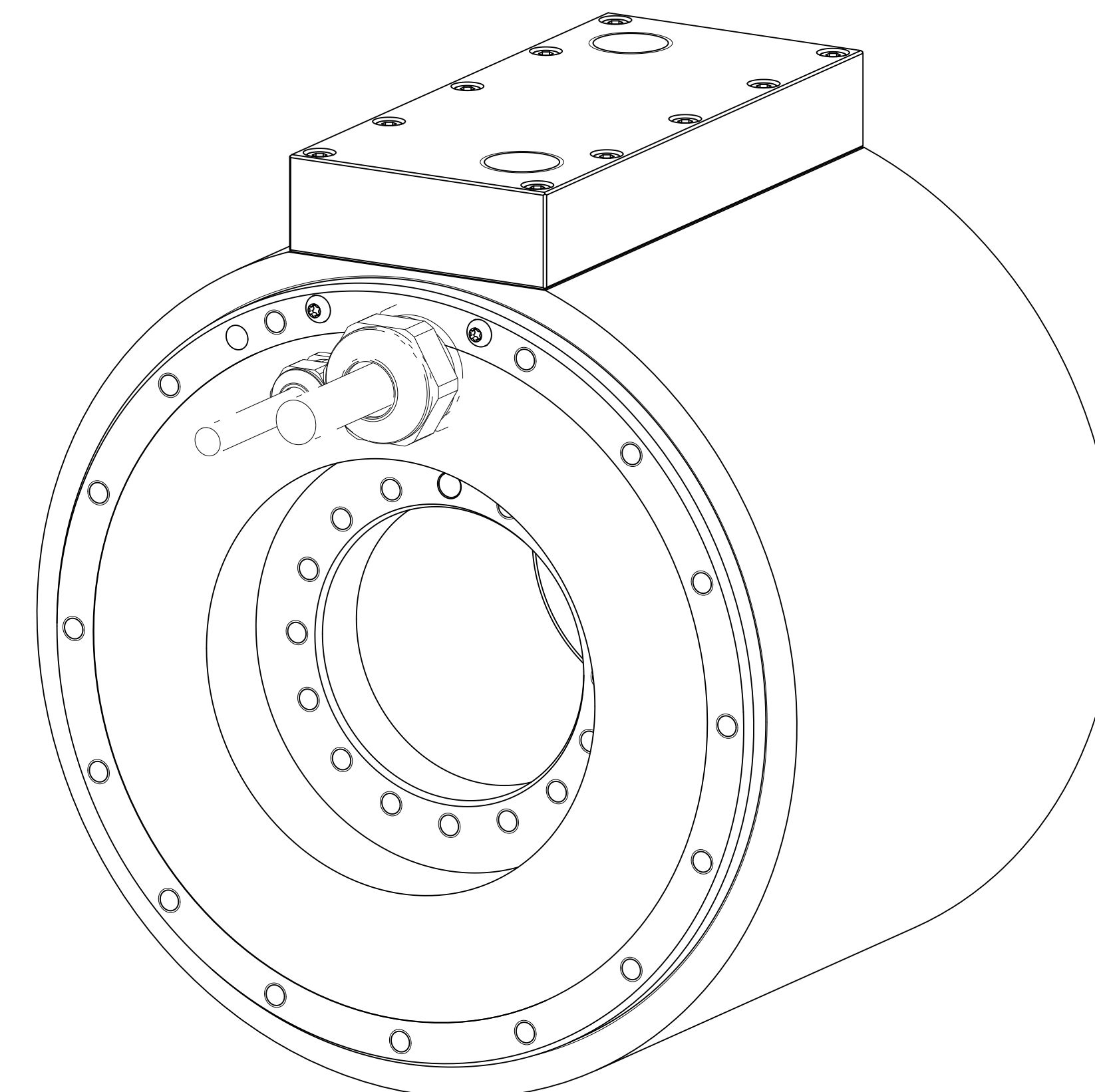
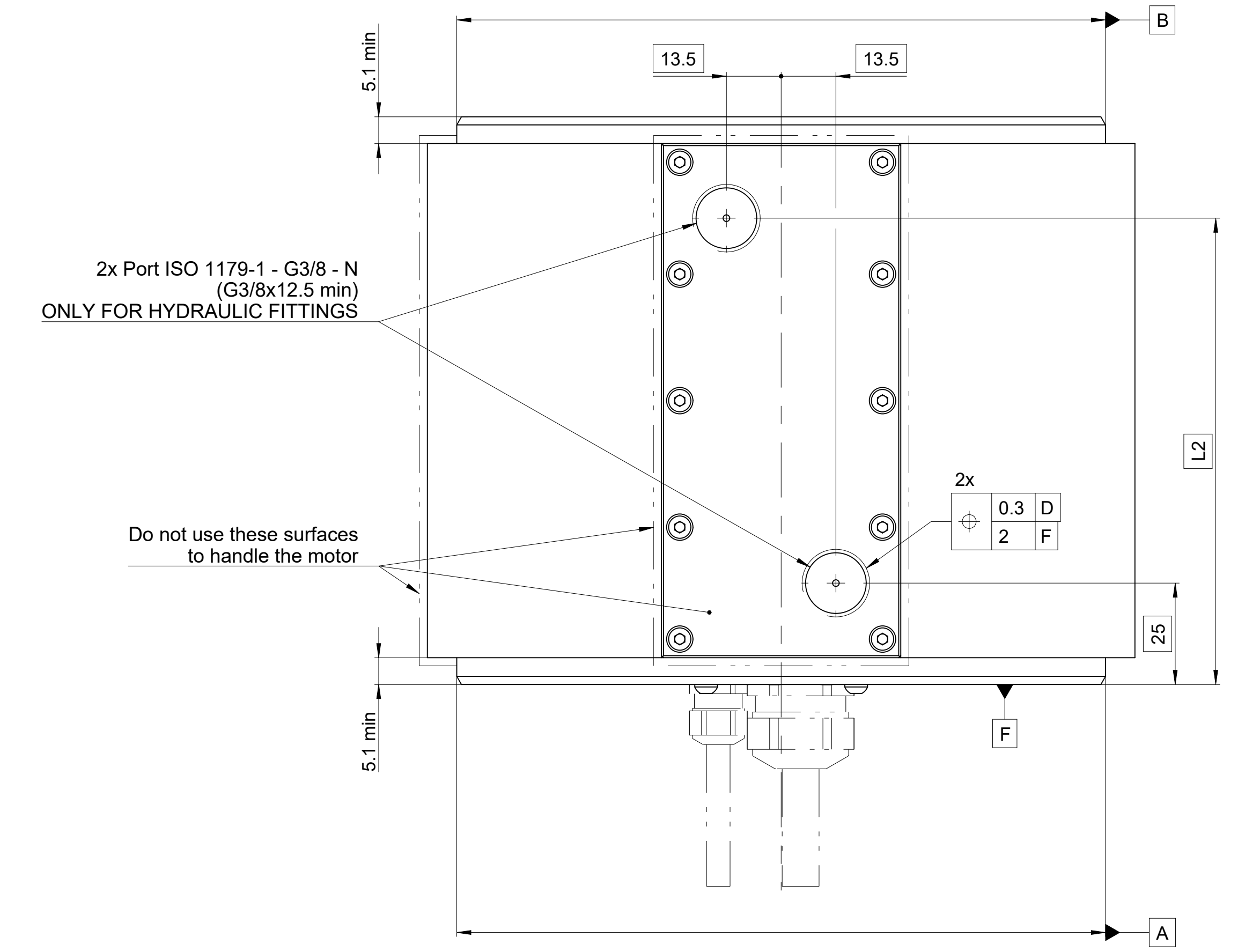
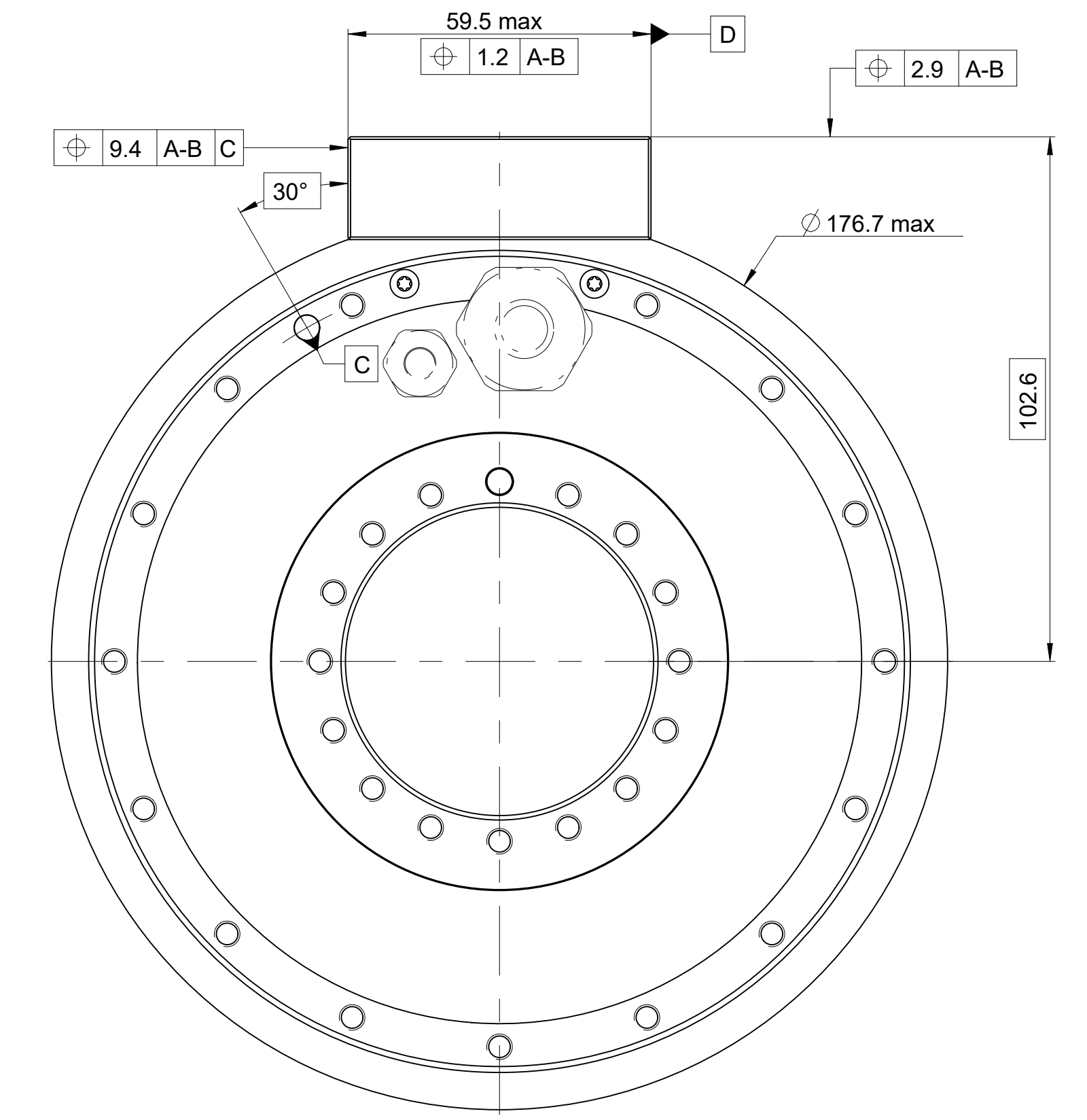
ETEL ETEL S.A. 2112 Möllers SWITZERLAND
This document is the property of ETEL S.A. and is submitted in confidence. Disclosure, reproduction or publication without written authorization is prohibited.

Projection: A2, Scale: 1:1, Old n°: 1175001, Version: 05, Revision: A, Sheet: 01, Page: 2/2

TMB+0140-###-#####-A#-AA0
 (Annex to interface drawing 1175001: please check for motor and cable output information)



TMB+0140-###-#####-R#-AA0
 (Annex to interface drawing 1175001: please check for motor and cable output information)



Designation	L2
TMB+0140-030	45
TMB+0140-050	65
TMB+0140-070	85
TMB+0140-100	115
TMB+0140-150	165
TMB+0140-200	215