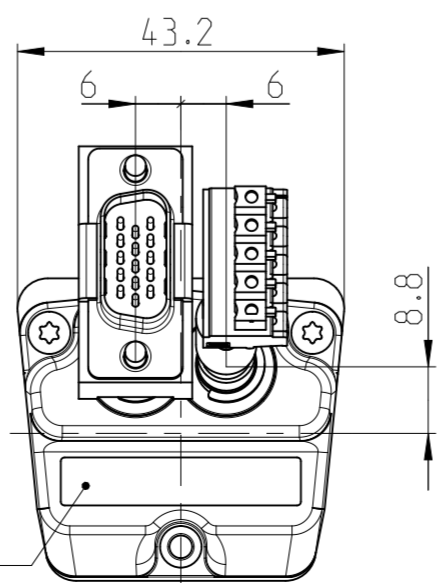
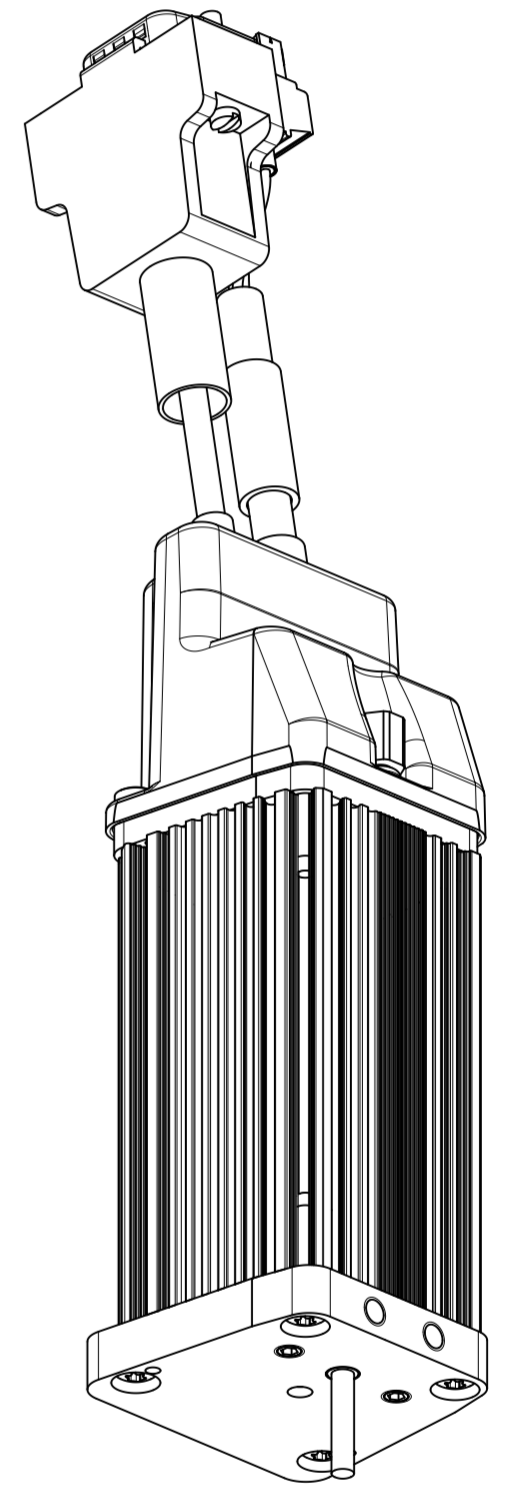
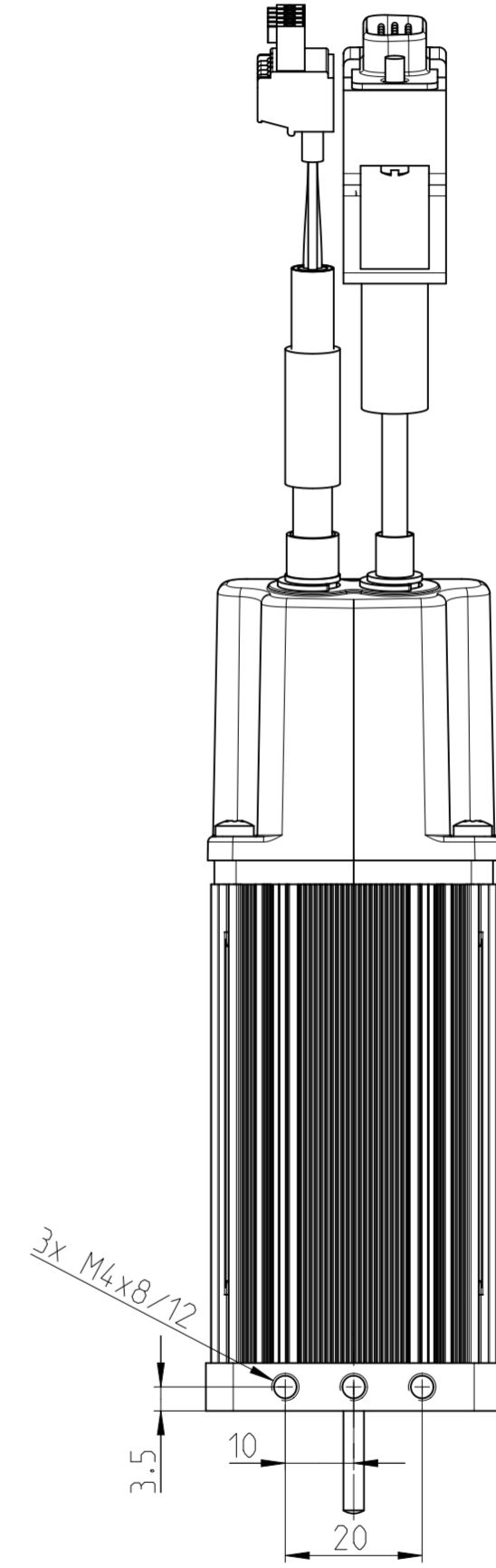
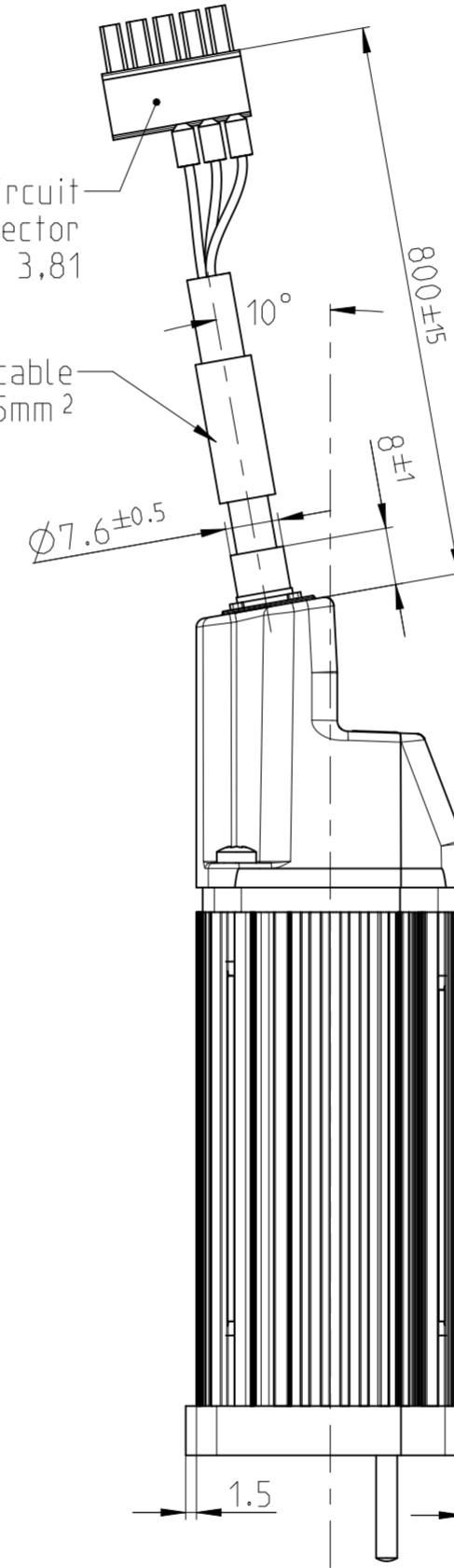
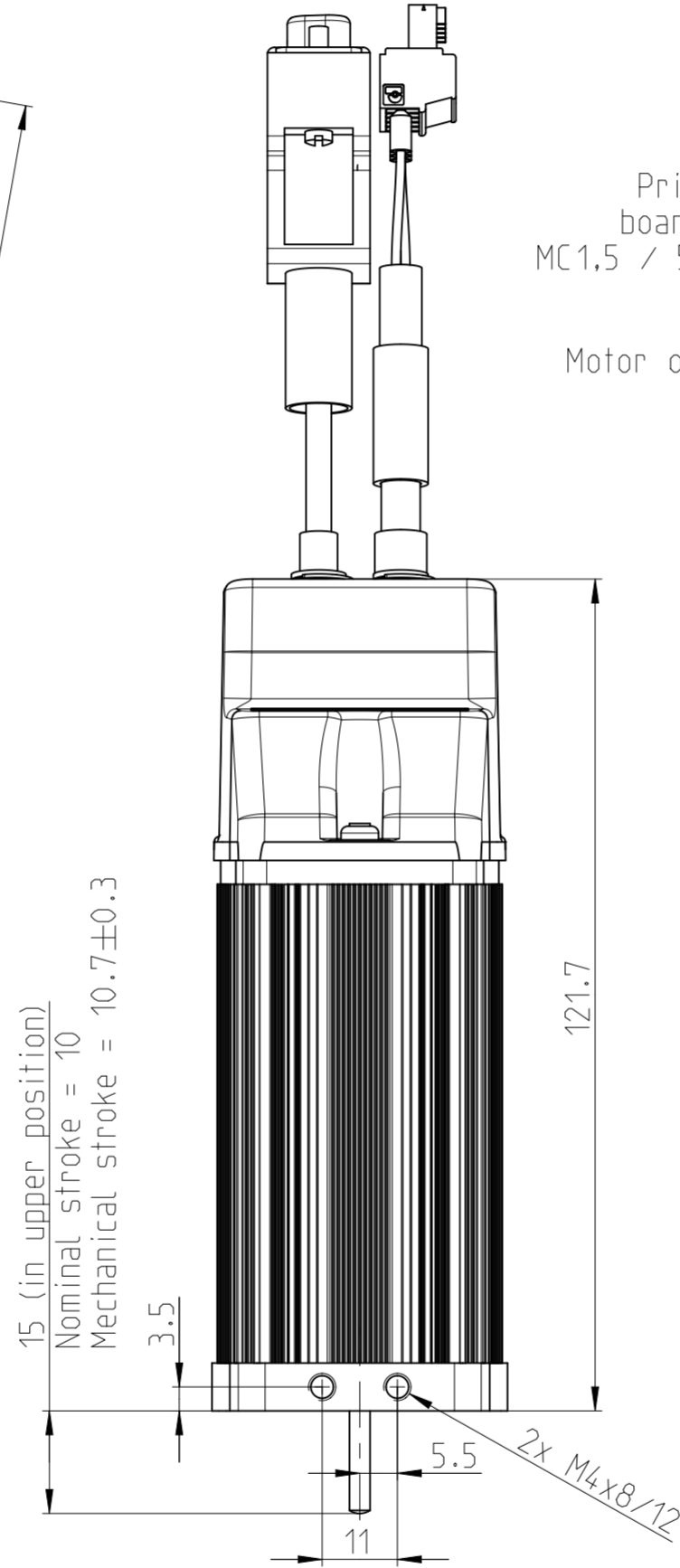
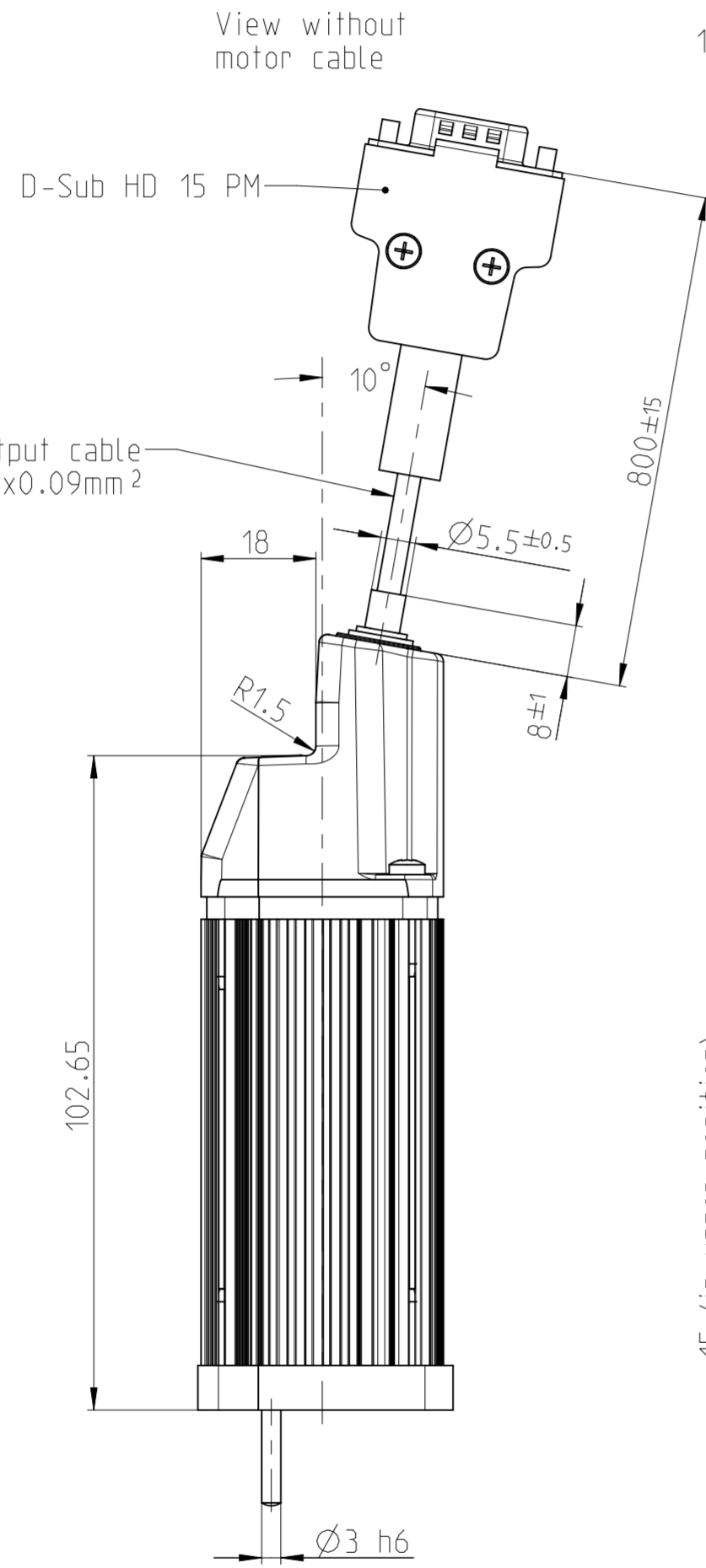
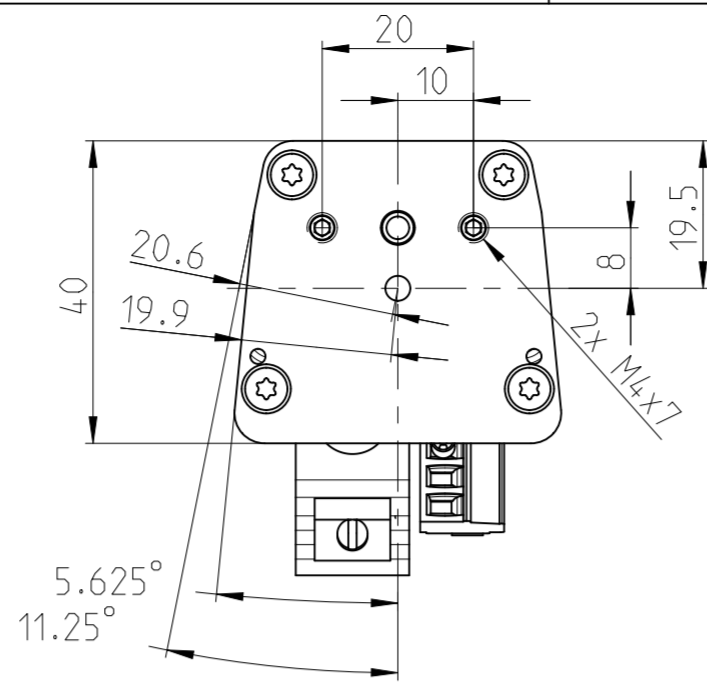
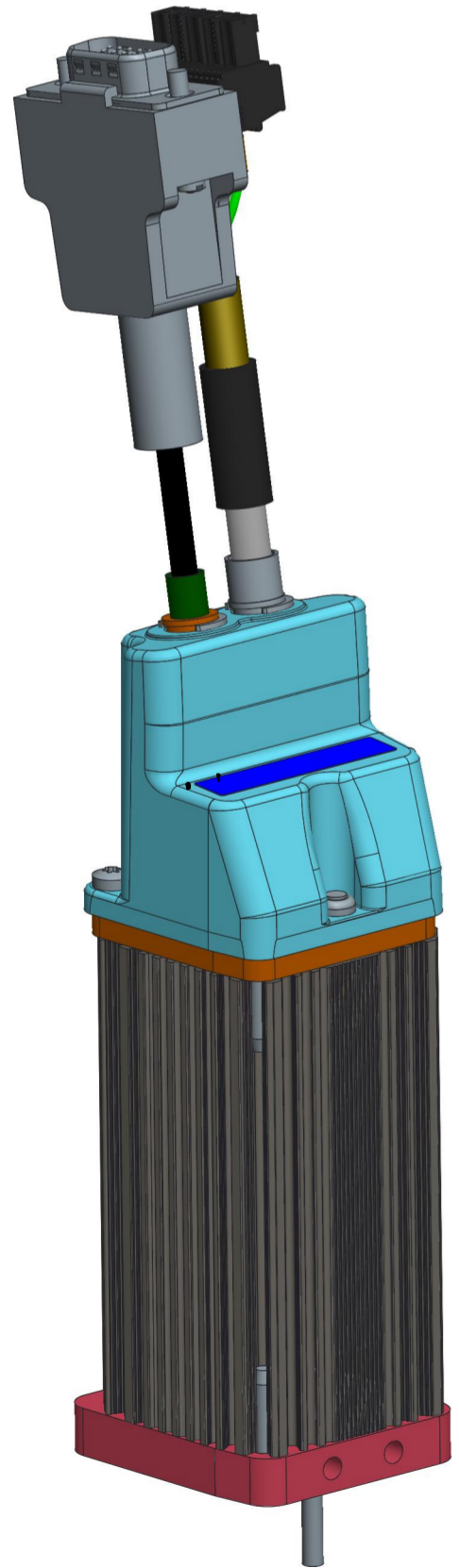


Function	Pin	Color encoder cable
+5 V	4	Brown/Green
0 V	5	White/Green
Shield		
A+	14	White
A-	7	Blue
B+	13	Gray
B-	6	Pink

Function	Pin	Color motor cable
PH1+	2	Brown
PH1-	3	White
PE+Shield	1	Green



Identification label



00 A	Text : - Release n° : C039406-40	Non serial	1180364-01 Part number
Material :	-		
Treatment:	-		
Edges of undefined shape ISO 13715	-0.3 +0.3		
ASME-TMMA00100151PAS0010- Z STANDALONE ACTUATOR			Drawn Mutrux
ASME-TMMA00100151PAS0010- Z STANDALONE ACTUATOR			Checked 31.01.2017
ETEL S.A. 2112 Möllens SWITZERLAND This document is the property of ETEL S.A. and is submitted in confidence. Disclosure, reproduction or publication without written authorization is prohibited.			Projection A2 Scale 1:1 Old n°: 1203549 Version/Revision 00 A Sheet 01 Page 1/1