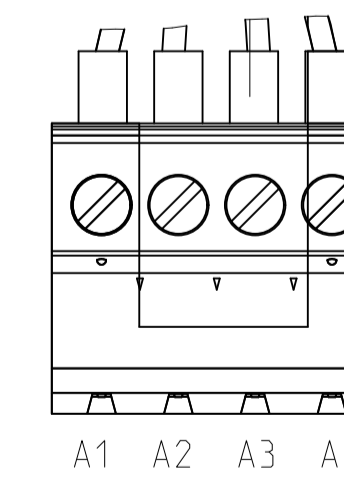


Encoder Connector Pinning

Pin	Function
4	+5V
5, 12	GND
6	COS-
7	SIN-
8	IDX-
13	COS+
14	SIN+
15	IDX+
1, 2, 3, 9, 10, 11	Not Connected

300V Connector Pinning



Pin	Wire	Function
A1	Wire 3	Motor phase 3
A2	Wire 2	Motor phase 2
A3	Wire 1	Motor phase 1
A4	Gr-Ye	Protective Earth

Variant	Part n°	Winding	L	Tol.
ASME-RTMBi1401503RAS0000	1161904-01	3RAS	5000	±100
ASME-RTMBi1401503RBS0000	1161904-02	3RBS	5000	±100
ASME-RTMBi1401503TBS0000	1161904-03	3TBS	5000	±100

01	Text : 300V Connector Pinning corrected	1161904-01
	Release n° : C037473-40	Serial production
		Part number
Material :	-	
Treatment:	-	
Edges of undefined shape ISO 13715	-	
	-	
	-	
ASME-RTMBi1401503RAS0000 - Interface		Drawn Chichiric 09.05.2016
This document is the property of ETEL S.A. and is submitted in confidence. Disclosure, reproduction or application without written authorization is prohibited.		Checked Mazerolle 27.05.2016
	Projection A1	Size 1:1
Scale 1:1	Old n° 1162025	Version/Revision 01 A 01
Document number		Page 1/1