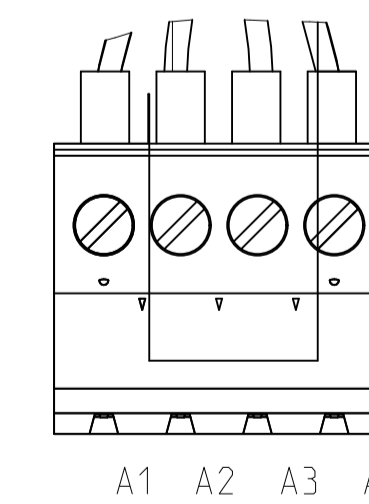


Encoder Connector Pinning

Pin	Function
4	+5V
5, 12	GND
6	COS-
7	SIN-
8	IDX-
13	COS+
14	SIN+
15	IDX+
1, 2, 3, 9, 10, 11	Not Connected

300V Connector Pinning

Pin	Wire	Function
A1	Wire 3	Motor phase 3
A2	Wire 2	Motor phase 2
A3	Wire 1	Motor phase 1
A4	Gr-Ye	Protective Earth



Variante	Part n°	Winding	L	Tol.
ASME-RTMBi1400703RAS0000	1161902-01	3RAS	5000	±100
ASME-RTMBi1400703RBS0000	1161902-02	3RBS	5000	±100

01	Text : 300V Connector Pinning corrected	1161902-01
	Release n° : C037473-35	Part number
Material :	-	
Treatment:	-	
Edges of undefined shape ISO 13715	-	
	-	
<b>ASME-RTMBi1400703**S0000 - Interface</b>		Drawn: Chichiric Checked: Mazerolle Approved: Mazerolle Date: 09.05.2016
ASME-RTMBi1400703**S0000 - Interface ETEL S.A. 2712 Möllens SWITZERLAND www.etel.ch		Projection: A1 Size: A1 Scale: 1:1 Old n°: 1164611 Version/Revision: 01 A Sheet: 01 Page: 1