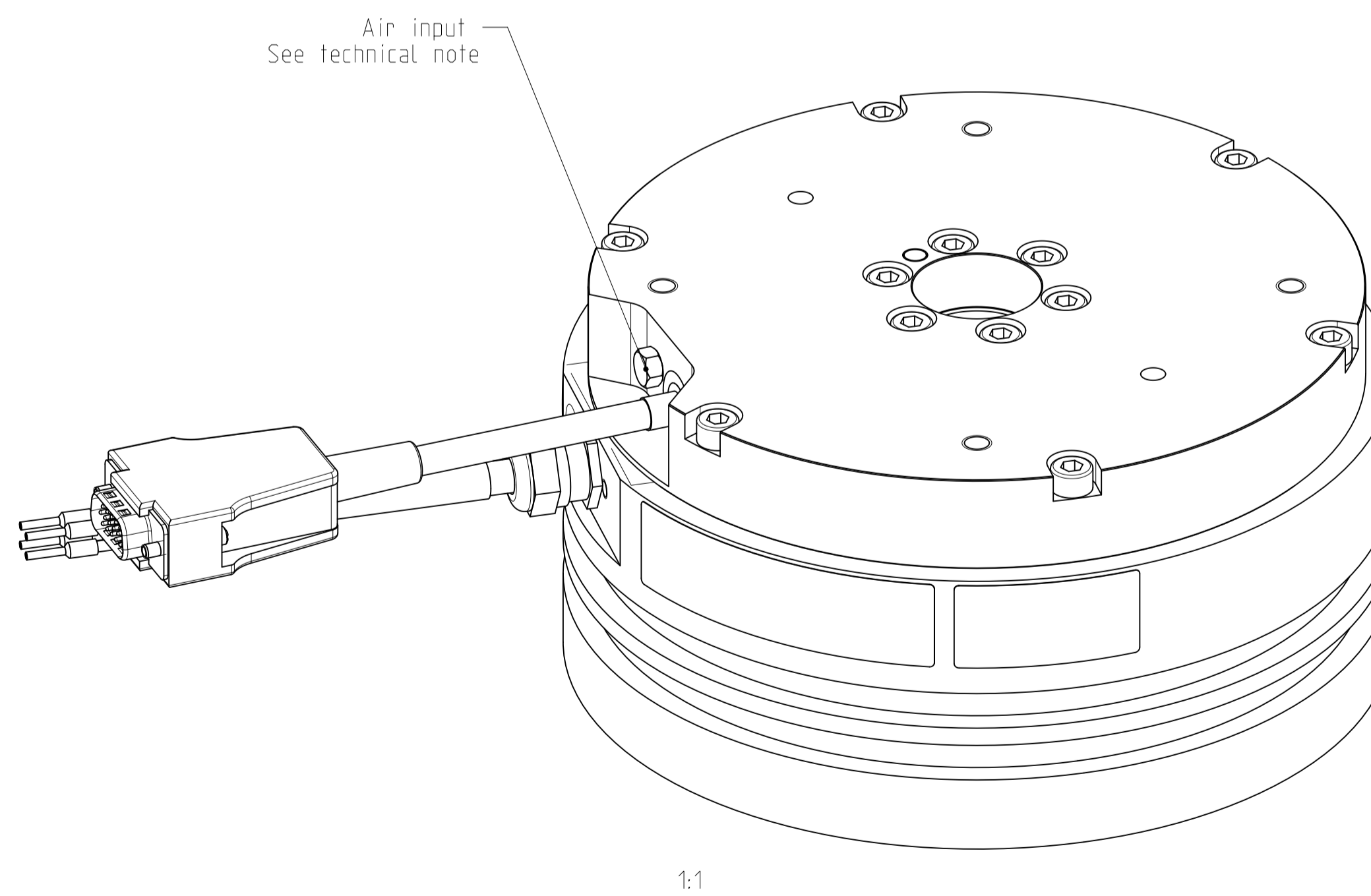
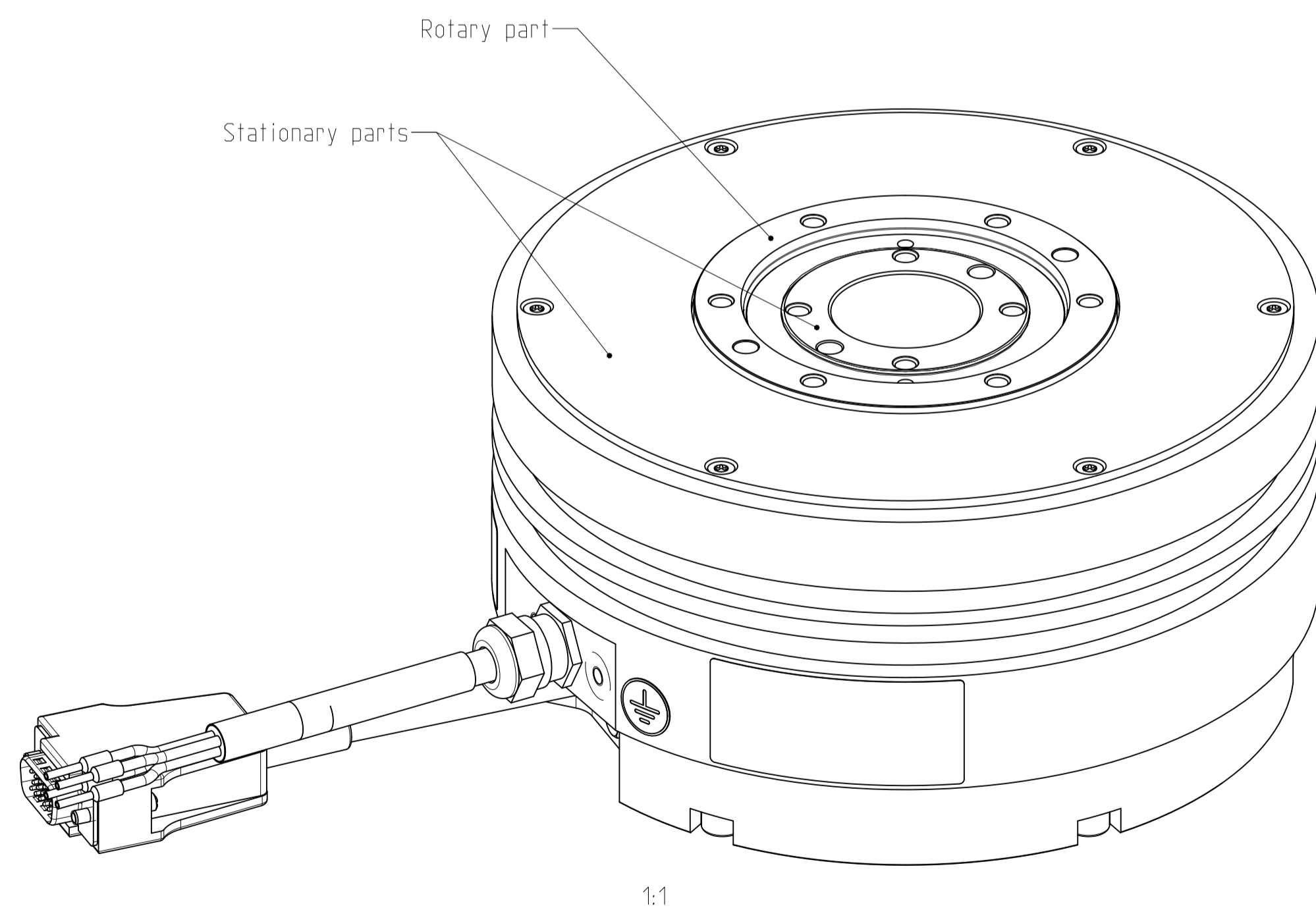


Encoder Connector Pinning

Pin	Function
4	+5V
5, 12	GND
6	COS-
7	SIN-
8	IDX-
13	COS+
14	SIN+
15	IDX+
1, 2, 3, 9, 10, 11	Not Connected

Motor cable pinning

Wire	Function
Wire 3	Motor phase 3
Wire 2	Motor phase 2
Wire 1	Motor phase 1
Gr-Ye	Protective Earth



Variant	Part n°	Winding	L	Tol.
ASME-RTMBi1400303RAS0000	1235110-01	3RAS	5000	±100
ASME-RTMBi1400303RBS0000	1235110-02	3RBS	5000	±100

Text : 1235110-01
 Release n° : C068235-05 Serial production Part number

Material : -
 Treatment: -
 Edges of undefined shape ISO 13715 ±0.3 ±0.3

ASME-RTMBi1400303**S0000 - Interface

Drawn	Checked	Approved
Schaffa		
02.11.2018		

ASME-RTMBi1400303**S0000 - Interface

ETEL S.A. 2712 Möllens SWITZERLAND

This document is the property of ETEL S.A. and is submitted in confidence. Reproduction or application without written authorization is prohibited.

Projection Size Scale Old n° Version/Revision Sheet Page
 A1 1:1 1271705 00 A 01 1