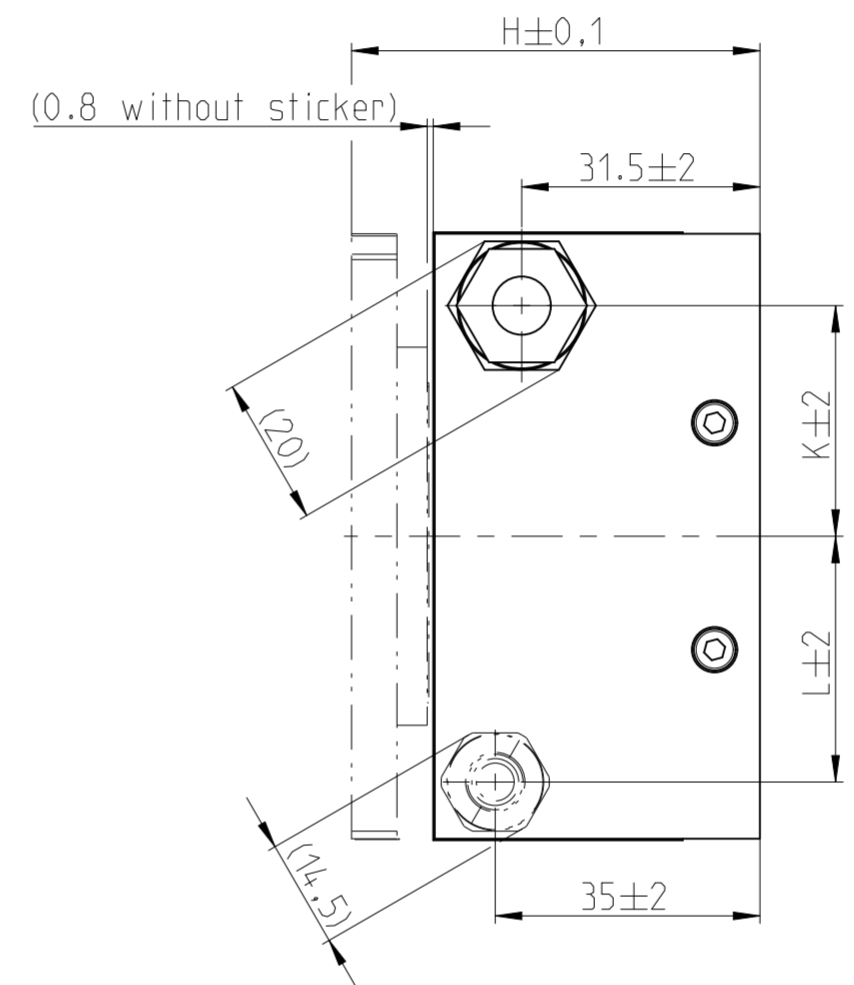
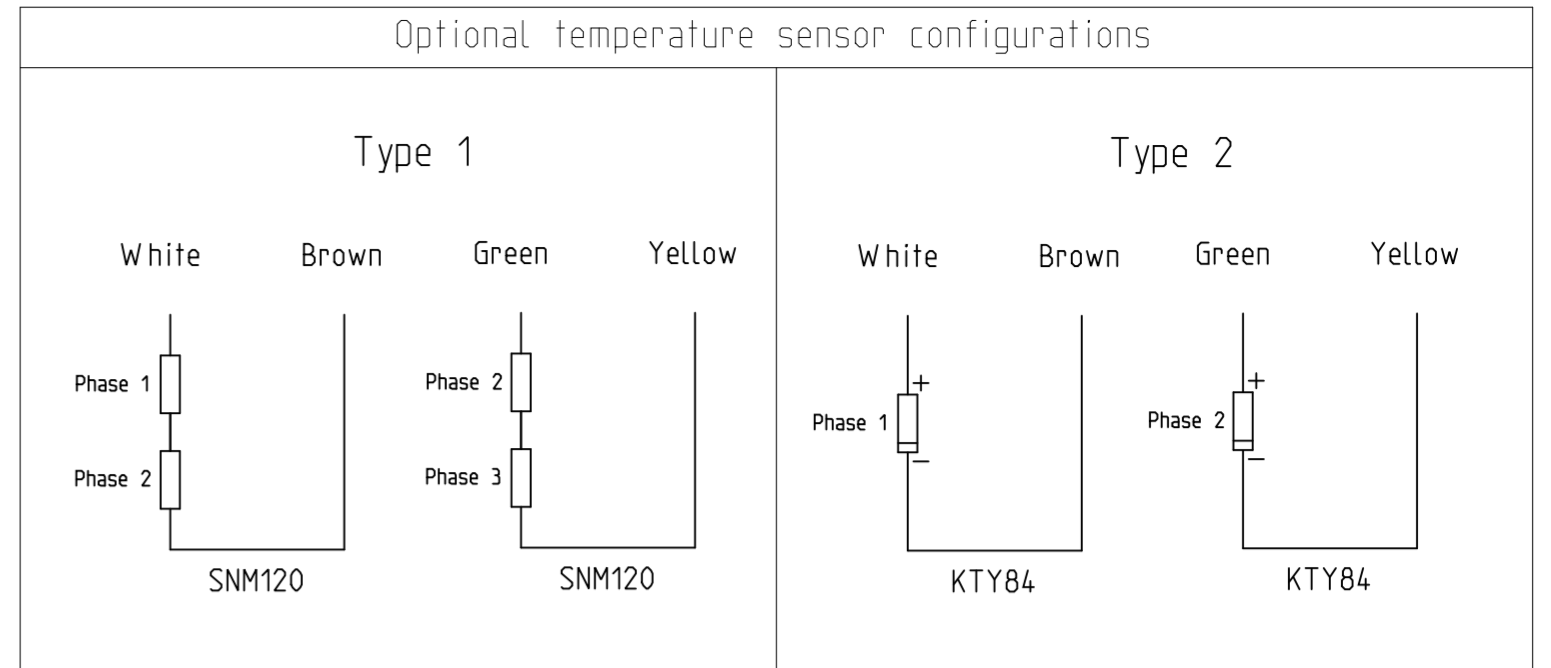
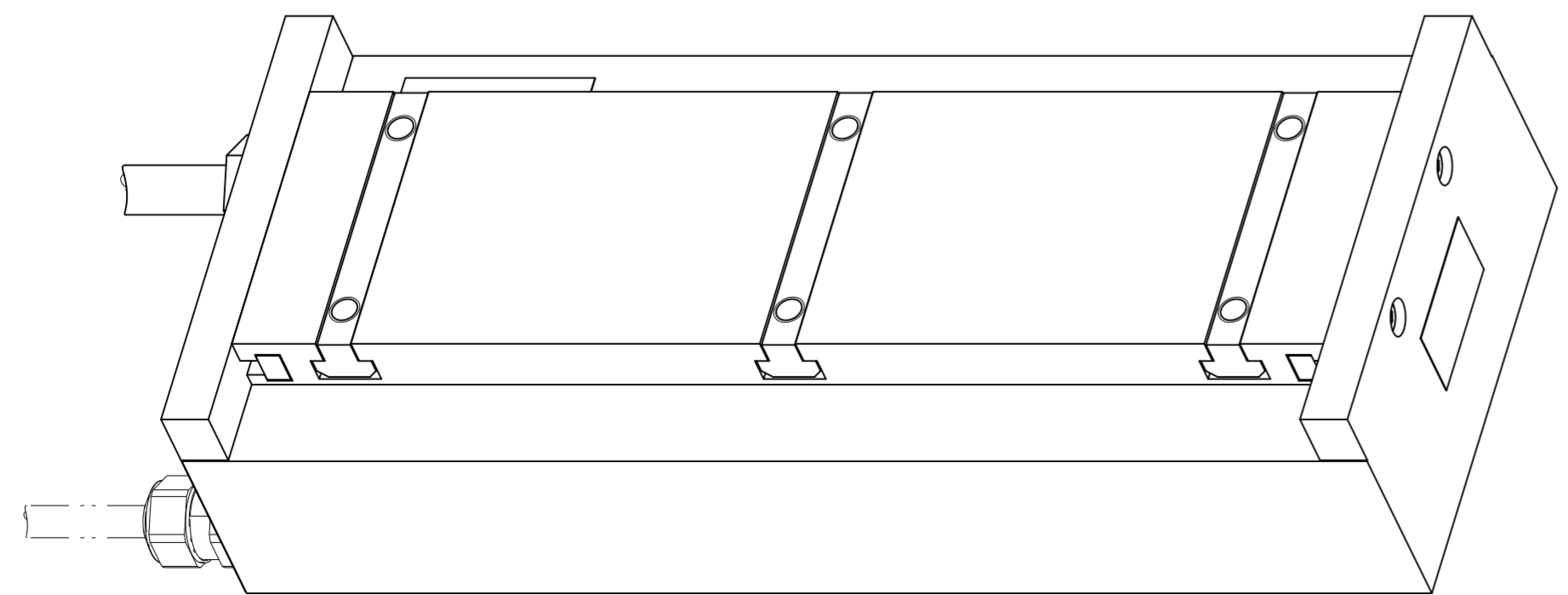


Optional shielded temperature sensor cable: 5x0.14 mm² (Ø4.8)
 Minimum static bending radius: 6x cable Ø



| | A | B | C | D | E | F | G | H | J | K | L | M |
|-----------|---|----|----|-----|-----|-------|---|------|------|------|------|------|
| LMA11-030 | 2 | 8 | 16 | 30 | 61 | 201.7 | 1 | 54 | 6 | 20.5 | 22.5 | 25.1 |
| LMA11-050 | | 18 | 36 | 50 | 81 | | | 56 | | 30.5 | 32.5 | |
| LMA11-070 | | 26 | 26 | 70 | 101 | | 2 | 58 | 40.5 | 42.5 | | |
| LMA11-100 | | 36 | 36 | 100 | 131 | | | 55.5 | 57.5 | | | |
| LMA22-030 | 4 | 8 | 16 | 30 | 61 | 377.7 | 1 | 54 | 10 | 20.5 | 22.5 | 38.1 |
| LMA22-050 | | 18 | 36 | 50 | 81 | | | 56 | | 30.5 | 32.5 | |
| LMA22-070 | | 26 | 26 | 70 | 101 | | 2 | 58 | 40.5 | 42.5 | | |
| LMA22-100 | | 36 | 36 | 100 | 131 | | | 55.5 | 57.5 | | | |

| | | | | | | | | | | | | |
|--|----------|--|---|-----------------------|---------------|-------------------|-----------------|---------|---------|----------|-------|------|
| 04 A | Text : - | Release n° : C050195-05 | Phase : Serial production | Identification number | | | | | | | | |
| Material : Fundamental tolerancing principle ISO 8015 and general tolerances ISO 2768-mK | | | | | | | | | | | | |
| Treatment: | | Nominal dimension | Linear | Radius Chamfer | Chamfer | Nominal dimension | ⊥ | ≡ | ↗ | | | |
| Edges of undefined shape ISO 13715 | | 0,5 ... 3 | ±0.1 | ± 0.2 | | 0,05 | 0,4 | 0,6 | 0.2 | | | |
| | | > 3 ... 6 | ±0.1 | ± 0.5 | | > 10 ... 30 | 0,1 | 0,4 | | 0,6 | | |
| | | > 6 ... 30 | ±0.2 | ± 1.0 | | > 30 ... 100 | 0,2 | 0,4 | 0,6 | | | |
| | | > 30 ... 120 | ±0.3 | ± 2.0 | | > 100 ... 300 | 0,4 | 0,6 | 0,6 | | | |
| | | > 120 ... 400 | ±0.5 | ± 4.0 | > 10 ... 50 | ± 1° | 0,4 | 0,6 | 0,6 | | | |
| | | > 400 ... 1000 | ±0.8 | ± 8.0 | > 50 ... 120 | ± 20' | >300 ... 1000 | 0,6 | 0,8 | 0,8 | | |
| | | > 1000 ... 2000 | ±1.2 | ± 12.0 | > 120 ... 400 | ± 10' | >1000 ... 3000 | 0,8 | 1 | 1 | | |
| Ironcore linear motor LMA | | | | | Drawn | Checked | Approved | | | | | |
| Moteur Linéaire avec fer LMA | | | | | 03.01.2017 | | 13.02.2017 | | | | | |
| ETEL MOTION TECHNOLOGY | | ETEL S.A. 2112 Möllens SWITZERLAND | This document is the property of Etel S.A. and is submitted in confidence. Disclosure, reproduction or publication without written authorization is prohibited. | | Projection | Size | Scale | Old n°: | Version | Revision | Sheet | Page |
| | | | | | | A2 | 1:1 | 1107403 | 04 | A | 01 | 1/1 |
| | | | | | Original | | Document number | | | | | |