

# Torque Motors

TMB<sup>+</sup> / TMK

***ETEL***

## TORQUE MOTORS

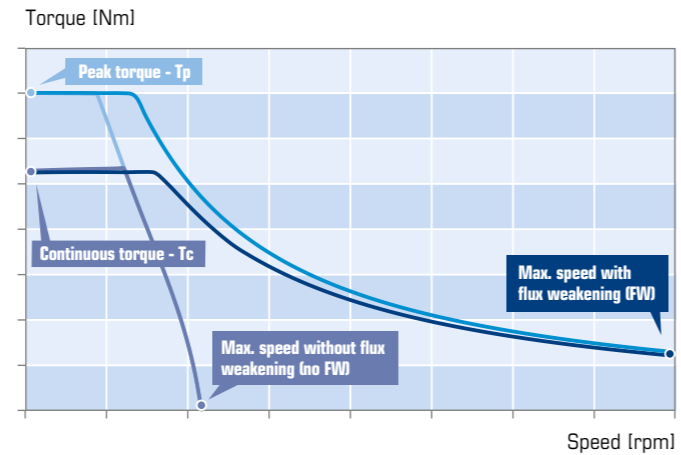
ETEL's range of torque motors mainly comprises two different products and technologies. The TMB+ is ETEL's flagship torque motor based on many years of experience. The TMK has been developed to reach speeds that are unique within the torque motor market.

Direct drive torque motors allow the payload to be coupled directly to the moving part of the motor, eliminating the need for mechanical transmission elements such as gearboxes, timing belts, worm gears

and so on. This results in performance related advantages such as **high dynamics**, **extreme accuracy** and **outstanding speed stability** in a very **compact** form factor.

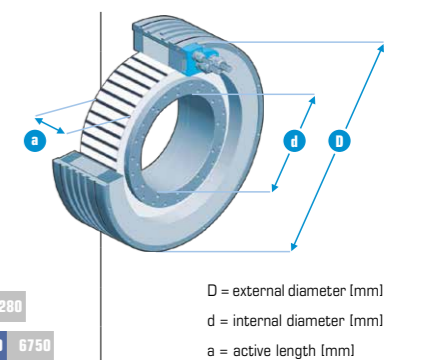
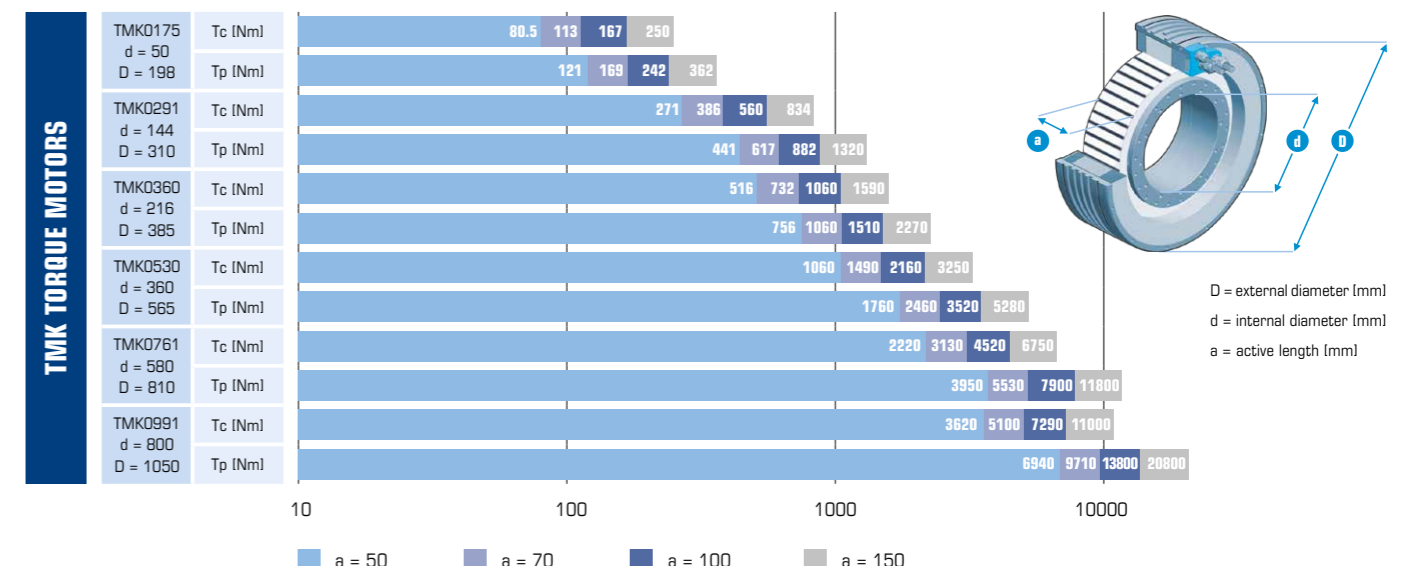
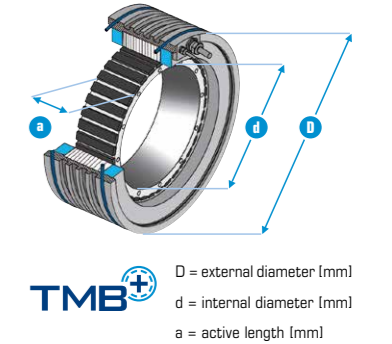
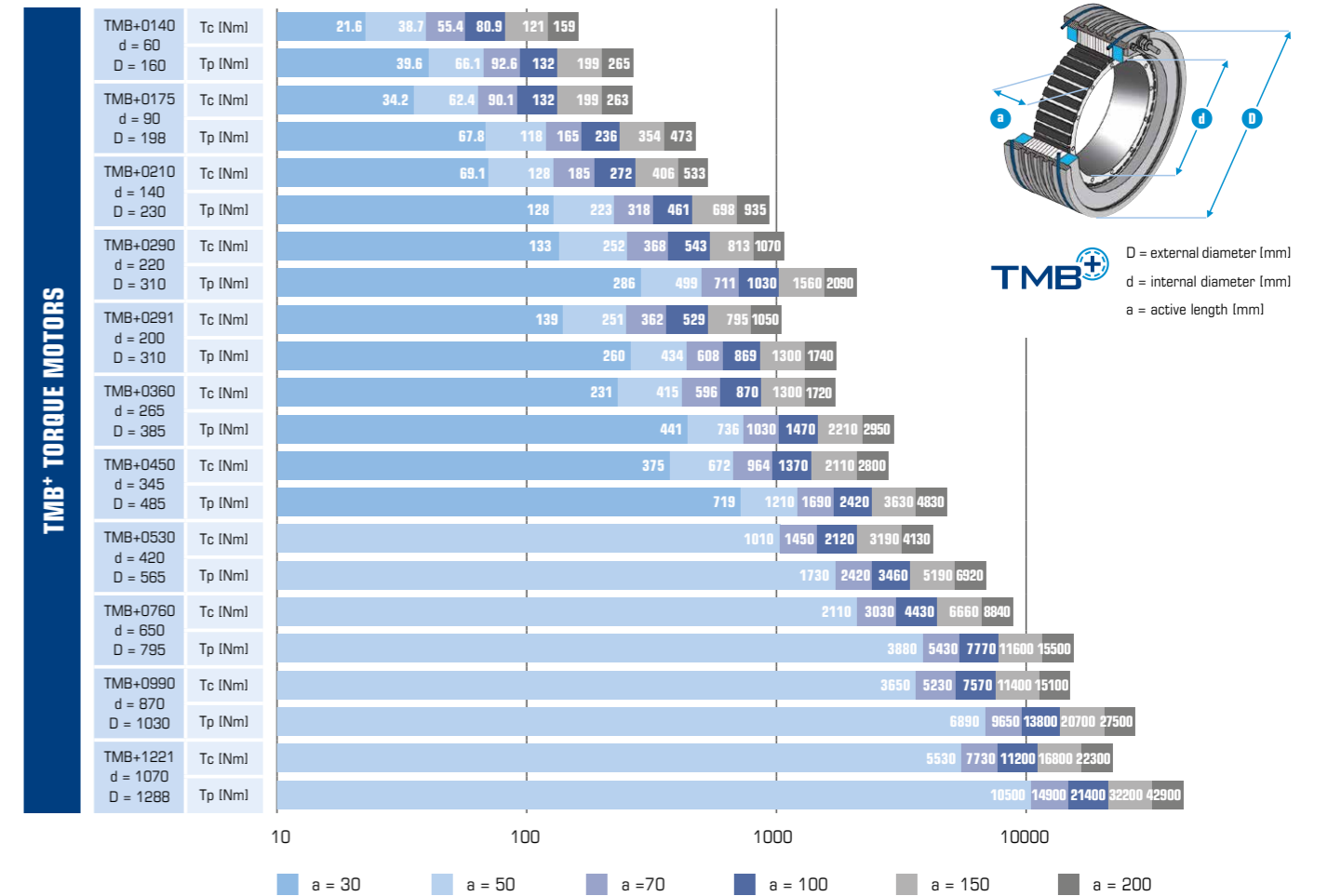
As well as increased performance, the elimination of a mechanical transmission significantly improves machine **productivity** as ETEL torque motors are **maintenance-free**. Furthermore, the quality of our products ensures **zero downtime** as well as **stable performance** throughout the lifetime of the entire machine.

## SPEED SELECTION CHART



	030		050		070		100		150		200					
	TMB+		TMB+		TMK		TMB+		TMK		TMB+					
	no FW	FW	no FW	FW	FW	no FW	FW	FW	no FW	FW	FW	no FW	FW			
0140	4590	4590	4390	4590	-	3140	3940	-	2190	3230	-	1460	2300	-	1100	1780
0175	3370	3370	2590	2770	5450	1850	2080	4580	1290	1970	5450	862	1440	4080	647	1110
0210	2330	2330	1550	2190	-	1100	1590	-	756	1210	-	499	859	-	372	670
0290	1440	1540	825	1220	-	581	857	-	401	632	-	264	452	-	197	356
0291	1620	1650	973	1290	2730	695	945	2730	486	808	2410	324	585	2730	243	457
0360	1270	1300	756	1150	1820	540	840	1820	378	667	1570	336	587	1820	252	463
0450	1010	1010	963	963	-	767	767	-	536	773	-	357	570	-	268	450
0530	-	-	651	774	1360	465	596	1360	325	518	1360	217	391	1200	162	310
0760	-	-	446	534	-	319	400	-	223	354	-	148	264	-	111	212
0761	-	-	-	-	909	-	-	909	-	-	909	-	-	855	-	-
0990	-	-	343	415	-	245	315	-	172	270	-	114	202	-	85.7	163
0991	-	-	-	-	682	-	-	682	-	-	682	-	-	674	-	-
1221	-	-	282	334	-	201	270	-	141	229	-	93.8	176	-	70.3	143

## TORQUE SELECTION CHART





## HEADQUARTERS

### ETEL S.A.

Zone Industrielle  
CH - 2112 Môtiers  
Switzerland

T +41 (0)32 862 01 00  
F +41 (0)32 862 01 01  
etel@etel.ch · www.etel.ch

## GROUP SUBSIDIARIES AND SALES OFFICES

AMERICAS • [info@heidenhain.com](mailto:info@heidenhain.com)

BELGIUM • [sales@heidenhain.be](mailto:sales@heidenhain.be)

CHINA • [sales@heidenhain.com.cn](mailto:sales@heidenhain.com.cn)

CZECH REPUBLIC • [heidenhain@heidenhain.cz](mailto:heidenhain@heidenhain.cz)

FRANCE • [sales@heidenhain.fr](mailto:sales@heidenhain.fr)

GERMANY • [tbsw.etel@heidenhain.de](mailto:tbsw.etel@heidenhain.de)

GREAT BRITAIN • [sales@heidenhain.co.uk](mailto:sales@heidenhain.co.uk)

ITALY • [info@heidenhain.it](mailto:info@heidenhain.it)

JAPAN • [sales@heidenhain.co.jp](mailto:sales@heidenhain.co.jp)

KOREA • [etelsales@heidenhain.co.kr](mailto:etelsales@heidenhain.co.kr)

SCANDINAVIA • [sales@heidenhain.se](mailto:sales@heidenhain.se)

SINGAPORE • [info@heidenhain.com.sg](mailto:info@heidenhain.com.sg)

SWITZERLAND • [verkauf@heidenhain.ch](mailto:verkauf@heidenhain.ch)

TAIWAN • [info@heidenhain.tw](mailto:info@heidenhain.tw)

THE NETHERLANDS • [verkoop@heidenhain.nl](mailto:verkoop@heidenhain.nl)

OTHER COUNTRIES • [internationalsales@etel.ch](mailto:internationalsales@etel.ch)

## REPRESENTATIVES

ISRAEL • [comotech@medital.co.il](mailto:comotech@medital.co.il)

SPAIN • [farresa@farresa.es](mailto:farresa@farresa.es)

# ETEL